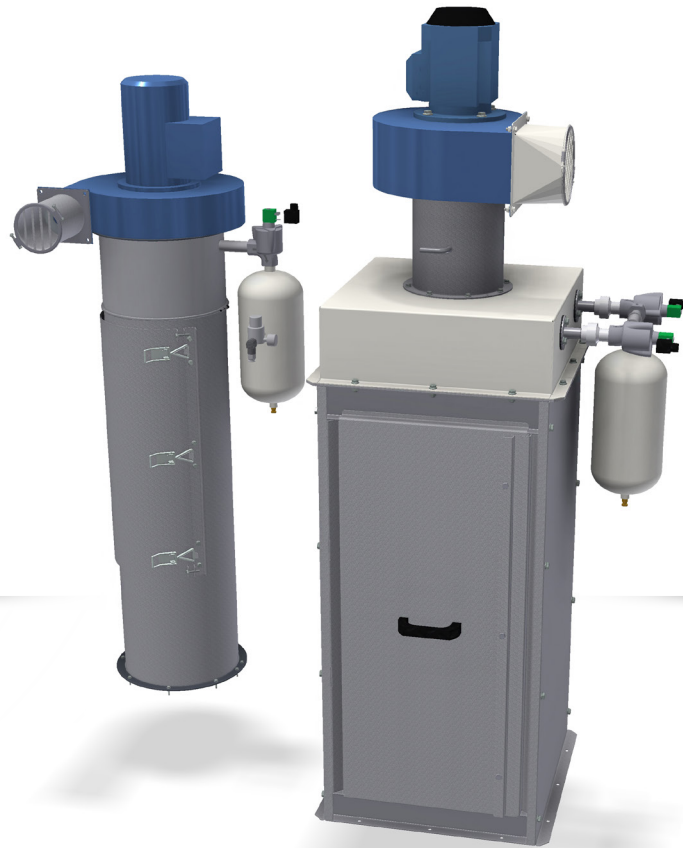




SKIOLD SELF CLEANING FILTERS

Ø300 & AF/C



SKIOLD MAKES THE DIFFERENCE!

SKIOLD SELF CLEANING FILTERS OF TYPE Ø300 & TYPE AF/C

Reduces the amount of dust in the mill

Reduces moisture level and prevents bacterial growth

Compact design

Can be incorporated into most types of installations

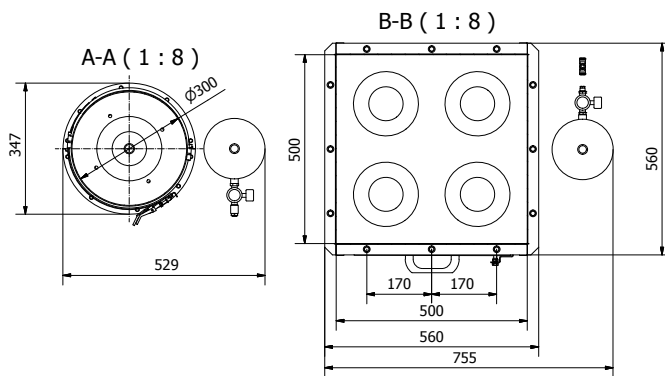
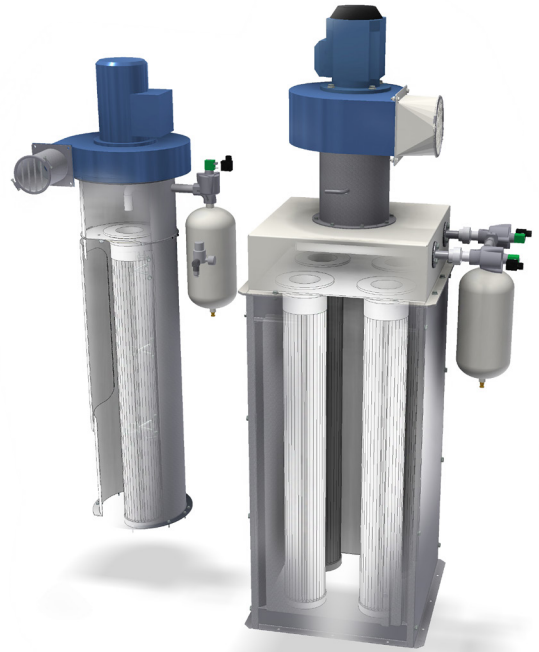
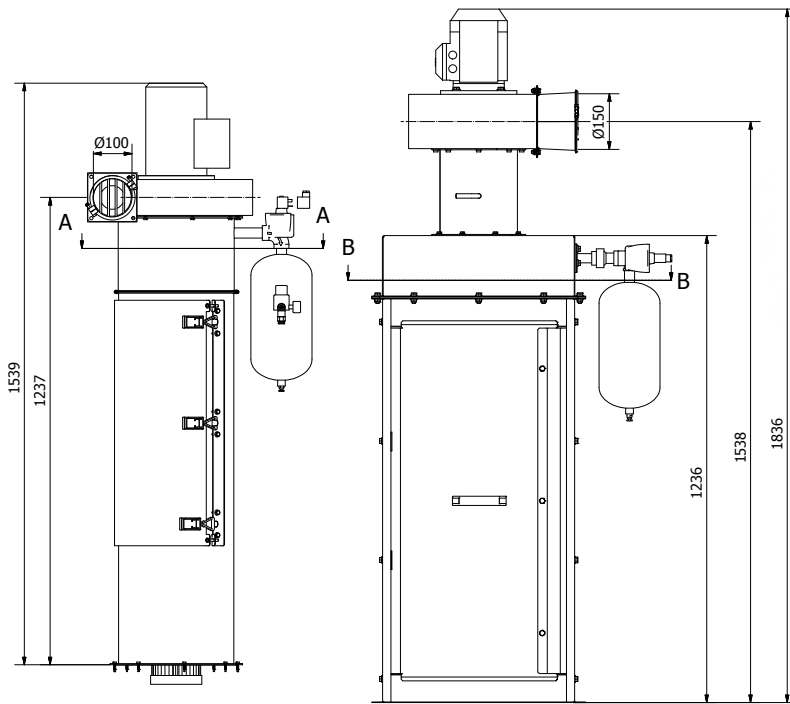
Delivered assembled with pressure regulator, filter bags and flange for mounting



SKIOLD SELF CLEANING FILTERS

Type Ø300

Type AF/C



MAX. VOLUME

Filter incl. filter cartridges (m³): 0,27

Transition for conveyor/elevator (m³): 0,14

TECHNICAL SPECIFICATIONS - BLOWER DATA

	Self cleaning filter Ø300								Quadruple self cleaning filter AF/C - 1 m							
Airflow (m ³ /h):	315	355	400	450	500	560	630	710	800	900	1000	1120	1250	1400	1600	1800
Static pressure (Ps) (mmH ₂ O):	179	178	178	178	178	177	175	169	114	113	112	112	112	111	111	109
Dynamic pressure (Pd) (mmH ₂ O):	9	11	14	18	22	28	36	45	7	9	12	15	19	24	31	39
	Self cleaning filter Ø300								Quadruple self cleaning filter AF/C - 1 m							
Area of filtration (m ²):	3								12							
Recommended airflow (m ³ /h):	300								1250							
Motor (kW):	0.75								1.1							
Motor (rpm):	2800								2800							
Pressure container (L):	5								5							
Recommended pressure in air feed (bar):	4-6								4-6							
Recommended cleaning cycle (min):	5								5 (x 2)							
Required compressor capacity (L/min):	10								20							
Max. sound pressure (dba):	75								80							