



SKIOLD LIQUID GRINDING DM6-WM



SKIOLD MAKES THE DIFFERENCE!

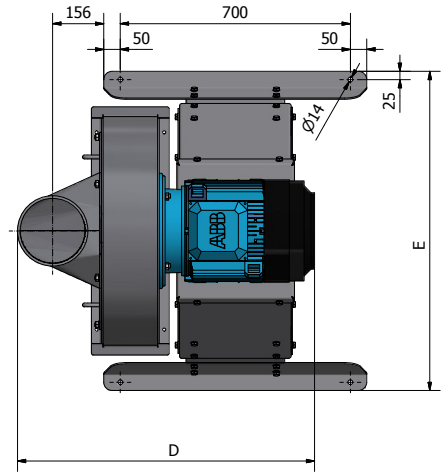
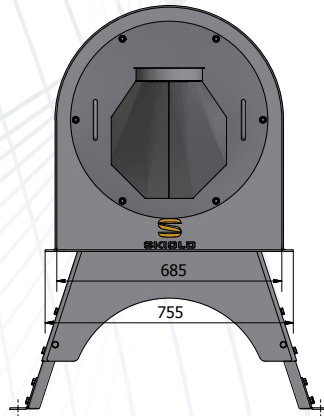
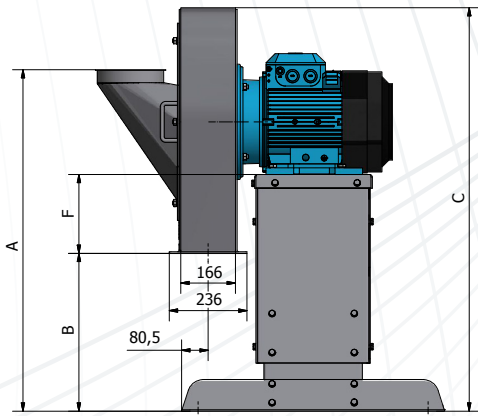
SKIOLD LIQUID GRINDING TYPE DM6-WM

- Feed hygiene at its peak – and no feed remnants
- Automatic cleaning inside mill after each grinding
- No water waste
- Capacity up to 2000 kg/hour
- Hammer mill in stainless steel
- Longer life of wearing parts
- Large range of screen sizes
- 11 - 18.5 kW motor

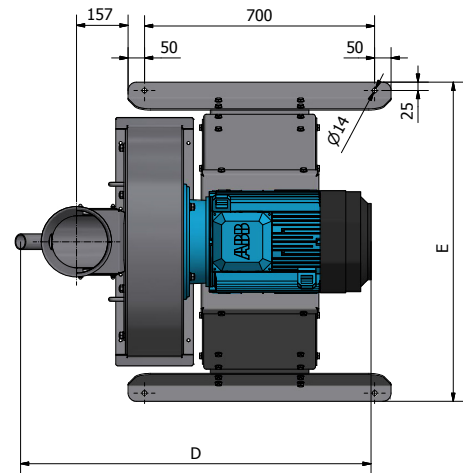
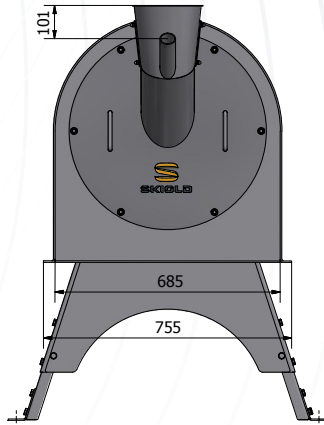
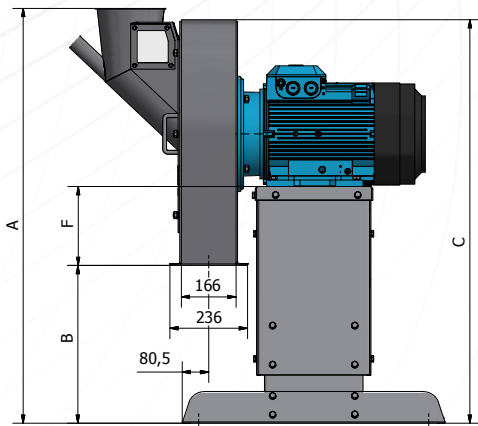


SKIOLD HAMMER MILL DM6-WM

DM6-WM - Peripheral inlet



DM6-WM - Center inlet



TECHNICAL SPECIFICATIONS

DM6-WM

Motor:	11 - 15 - 18.5 kW 2800 rpm
Screen area:	2700 cm ²
Screen types:	Plate screen
Number of hammers:	28/40
Noise level:	Approx. 85 dBa
Shipping weight:	255 - 265 - 280 kg
Guiding capacity kg/h:	500-2000

CAPACITY

Measured in moist maize grain, max. kg/h
at motor sizes 11 - 15 - 18.5 kW

Plate screen

Maize

- Ø 6 mm
- Ø 8 mm
- Ø 10 mm
- Ø 12 mm
- Ø 14 mm
- Ø 16 mm

Guiding cap. 500-2000 kg/h

The capacity varies depending on screen size, motor size, moisture contents and sort of grain

Measure Sketch DM6-WM (Peripheral inlet):

DM6-WM	A	B	C	D	E	F
11 kW				982	971-1146	240
15 kW	1040-1310	480-750	1230-1500			
18,5 kW				1037		

Measure Sketch DM6-WM (Center inlet):

DM6-WM	A	B	C	D	E	F
11 kW				1046	971-1146	240
15 kW	1262-1532	480-750	1230-1500			
18,5 kW				1101		

The mill model DM6-WM is designed for grinding of especially moist maize (more than 40% moisture contents). DM6-WM is made of stainless material – except from the hammers – and with extra tightening at the motor shaft.