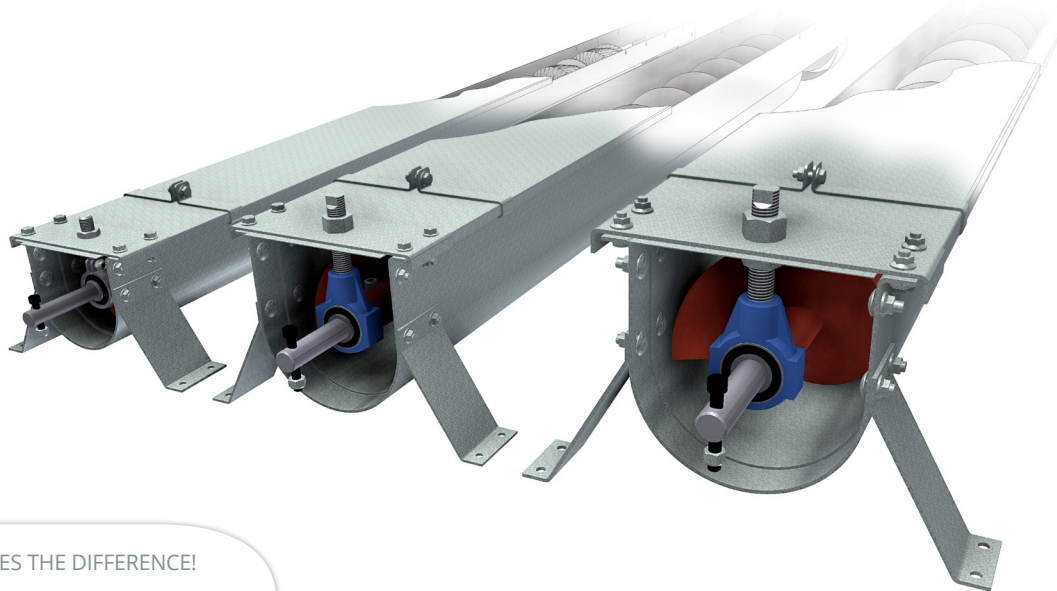




SKIOLD TROUGH AUGERS

U10/U15/U20



SKIOLD MAKES THE DIFFERENCE!

SKIOLD TROUGH AUGERS SYSTEM U10/U15/U20

Capacity up to 100 m³ per hour

Length up to 45 m

ATEX approved gear motors, zone 22

Heavy duty augers with reinforced bolt connections

Galvanized trough with tight-fitting cover

Wide range of accessories

SKIOLD TROUGH AUGER - U10/U15/U20

High quality and trouble-free operation

SKIOLD augers are suitable for horizontal transportation of meal, grain, granulate, and pellets. The trough augers are of strong quality which ensures long service life, even with many daily start-ups/stops and many operational hours.

The augers are powered by ATEX approved gear motors. With worm gears up to max. 10 m and above with flat gears. The auger flights are cold-rolled 5 mm steel welded on a strong centre pipes.

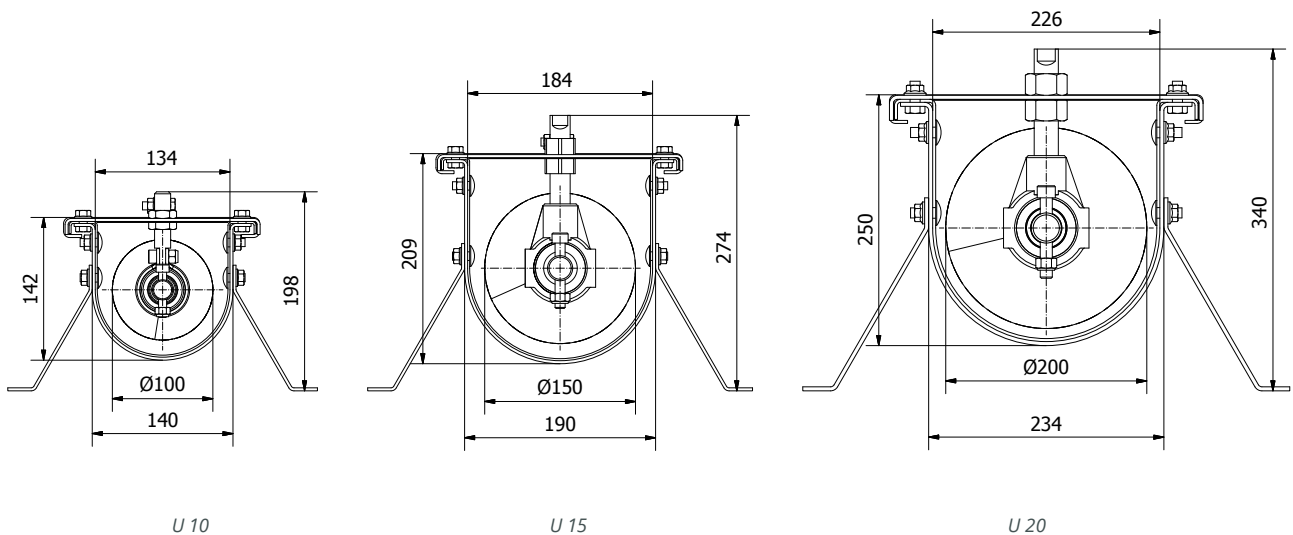
The assembly of the augers is made with double unbrako bolts. Troughs and lids are made of galvanized steel. The adjustable mid bearings, for each 1 or 2 m section, are maintenance-free quality ball bearings. Overall, a SKIOLD auger quality is far superior to other agricultural quality augers on the market, ensuring long and trouble-free operation.

Capacity for all needs

Three models ensure capacity up to 100 m³/hour and a maximum length of up to 45 m. Adjustment of capacity is achieved by selecting the speed of the gear motors, and with a large storage range of geartypes and engines, SKIOLD can provide the optimal combination so that the length, capacity and engine power suit the task.

Wide range of accessories

Solving many tasks requires a similar wide range of accessories. Selection: Inlet, motor operated intermediate outlet, hand operated intermediate outlet, end outlets, long open silo outlets. SKIOLD has the solution to every need.



TECHNICAL SPECIFICATIONS

TYPE	Max capacity m ³ /h	Max length m	Motor kW	Max rpm
U10	22	45	1.1 - 7.5	560
U15	48	35	1.1 - 7.5	320
U20	104	15	1.1 - 7.5	280

Capacity will vary for different products