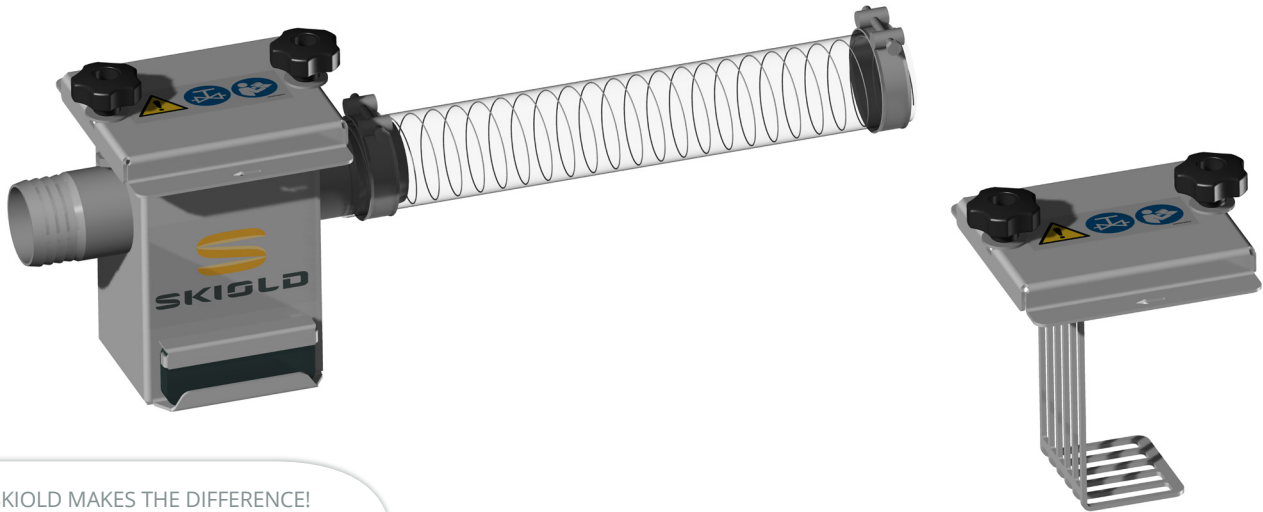




# STONE TRAP



SKIOLD MAKES THE DIFFERENCE!

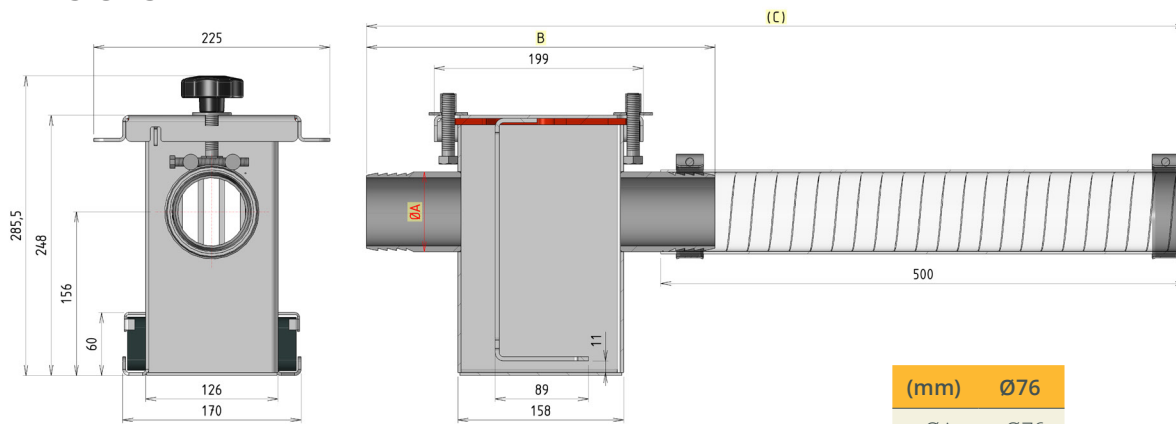
- The stone trap is designed to be mounted directly on the inlet hose, between the mixing tank and feed pump. Inlet and outlet are Ø 76MM, corresponding to the inner diameter of standard tubing between the mixing tank and feed pump.
- The stone trap is supplied with extra strong magnets, which are mounted on the outside of the stone trap to catch the magnetic metal particles in the liquid feed.
- The liquid feed must pass a grid inside the stone trap which creates a little turbulence that causes the heavier particles to fall to the bottom and not continue into the feed pump.
- A stone trap should be cleaned regularly, like mixing tank and other feeding equipment. This grid is also designed so that during cleaning the stone trap, it helps to remove the accumulated particles. It can be removed easily. And, there is just one direction of assembly possible.



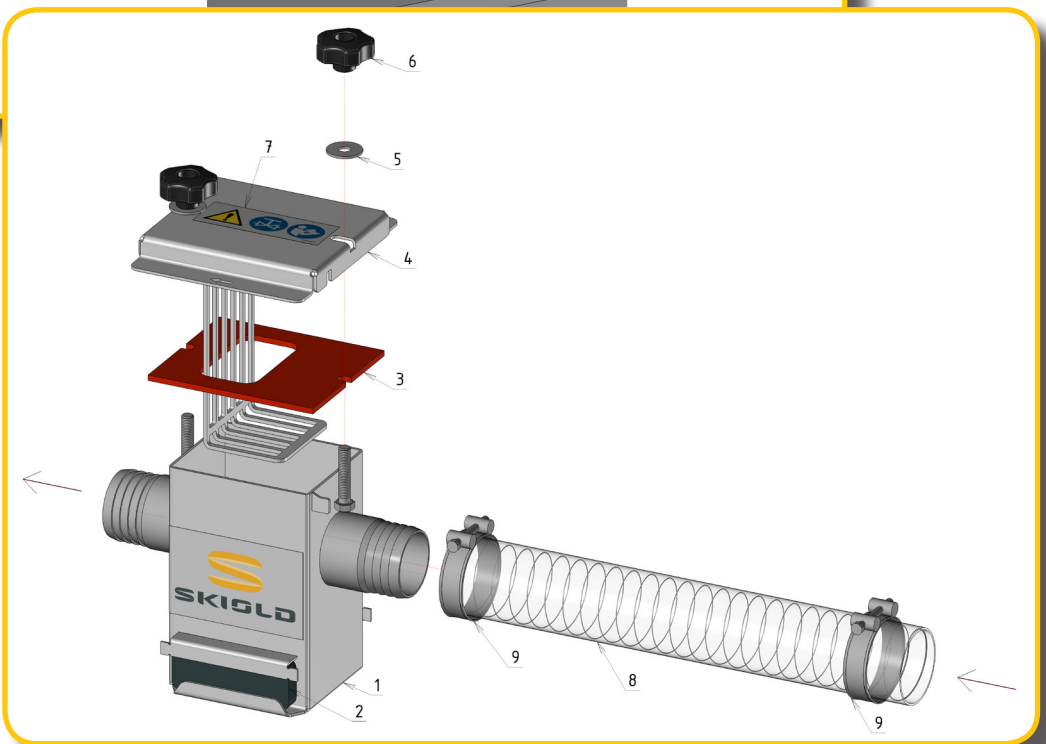
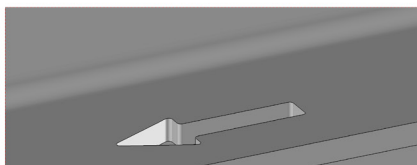
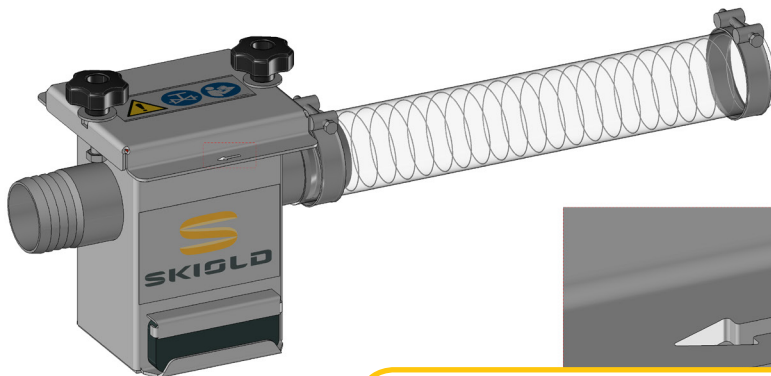
Item No.	Description
150 000 103 061	Stone trap complete with hose and clamps



## DIMENSIONS



(mm)	Ø76
ØA	Ø76
B	332
C	780



### Pos. Item No.

1	150 322 670 000	Stone trap Ø76
2	150 200 780 847	Magnet 130x50x17.5
3	150 408 127 000	Cut seal
4	150 320 314 000	Welded cover
5	150 200 681 462	Stainless steel washer L 12-32-2,5
6	150 200 780 107	Star button PP Ø60 – Stainless st. threaded sleeve M12
7	150 200 780 914	Label Stone Trap
8	150 200 544 175	Flexible pipe monoflex Ø76
9	150 200 598 776	Hose clamp TPX 86-91