



SKIOLD DAMAS VIBAM



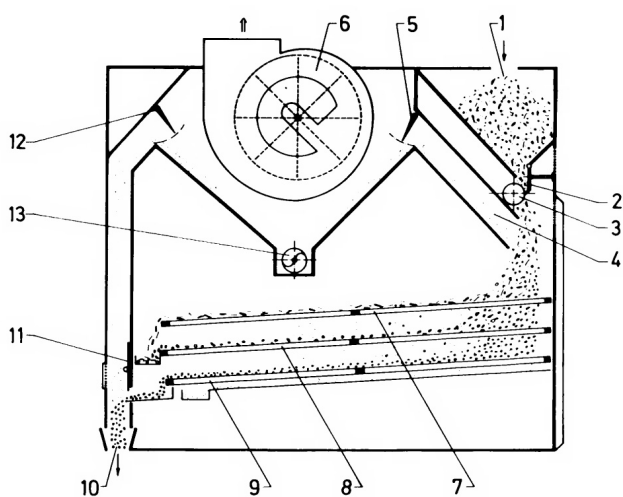
SKIOLD MAKES THE DIFFERENCE!



SKIOLD DAMAS VIBAM

Function

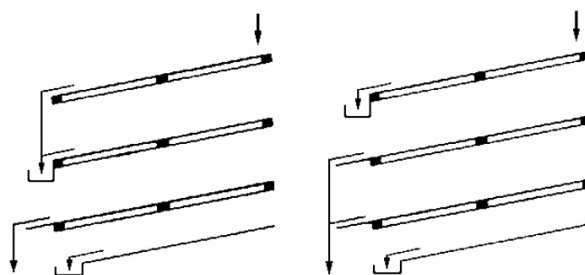
The raw material (1) is conveyed over the feed roller (3) via the regulating slide (2), where the capacity can be set. The material passes through the presuction duct (4), where light impurities are sucked off (6). The aspiration is regulated by the slide (5). The screen function is described below. Before the clean material (10) leaves the machine in its total width, the material passes through an upward air current. The quantity of this air current is adjustable by the slides (11) and (12). In this way light and germinated seeds are removed. The heavy particles from the aspiration chamber are discharged via the worm (13), while light impurities (6) are carried by the air to e.g. a cyclone.



Function

Screen systems

Screen system A (left) can be changed into screen system B (right) if one outlet chute is moved. System A is mainly used for precleaning. The upper and intermediate screen layers are used for scalping, whereas the lower screen layer is sand screens. System B is used for fine cleaning cereal seed and for various grading tasks. The upper screen layer is used for scalping. If the perforations of the intermediate screen layer are somewhat larger than those of the lower screen layer, the intermediate layer will act as relief for the lower screen layer and consequently result in increased grading capacity. "Throughs" from the lower screen layer are small seeds, etc.



Screen systems

TECHNICAL SPECIFICATIONS

| | 1013 | 1026 |
|--------------------------------|------|------|
| Screen width (mm): | 1050 | 1050 |
| Number of screens (pcs.): | 6 | 12 |
| Screen area (m ²): | 5 | 10 |
| Motor (kW): | 3.0 | 4.0 |
| Width (mm): | 1660 | 1660 |
| Length (mm): | 2260 | 2260 |
| Height (mm): | 1770 | 2375 |
| Weight (kg): | 1000 | 1200 |

GUIDING CAPACITIES

| | 1013 | 1026 |
|---|------|------|
| Precleaning (dry barley), system A (t/h): | 20 | 40 |
| Fine cleaning, cereal seed (barley), system B (t/h): | 5 | 10 |
| Malting barley grading, system B (50% of possible removed) (t/h): | 6 | 11 |