



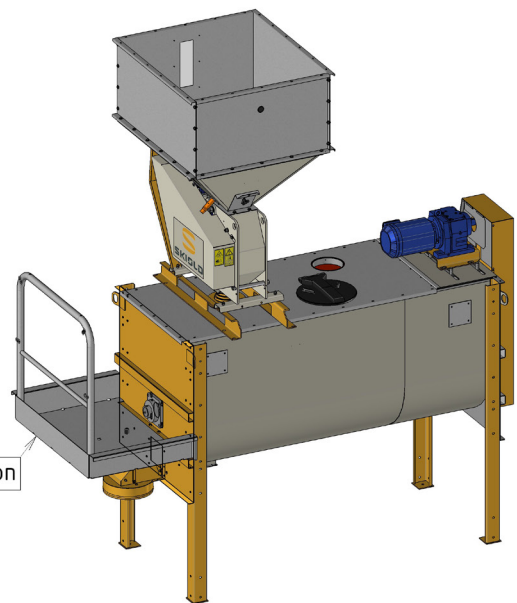
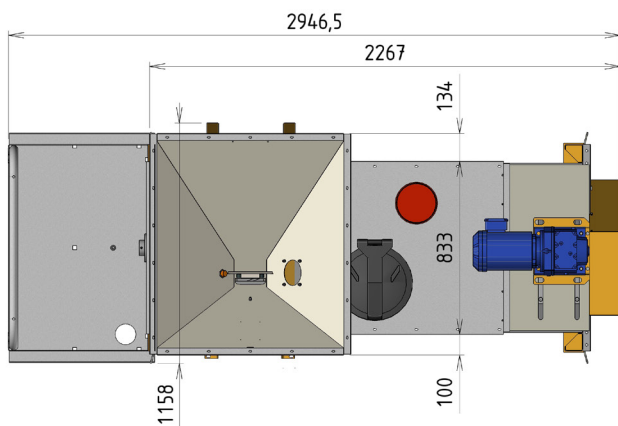
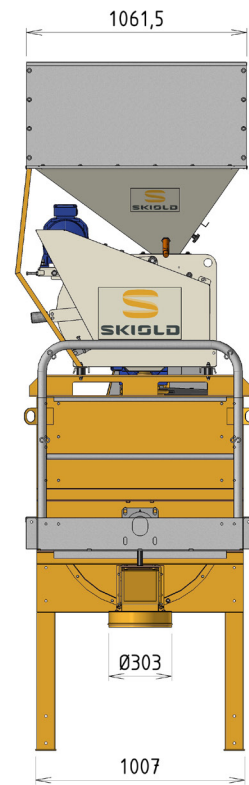
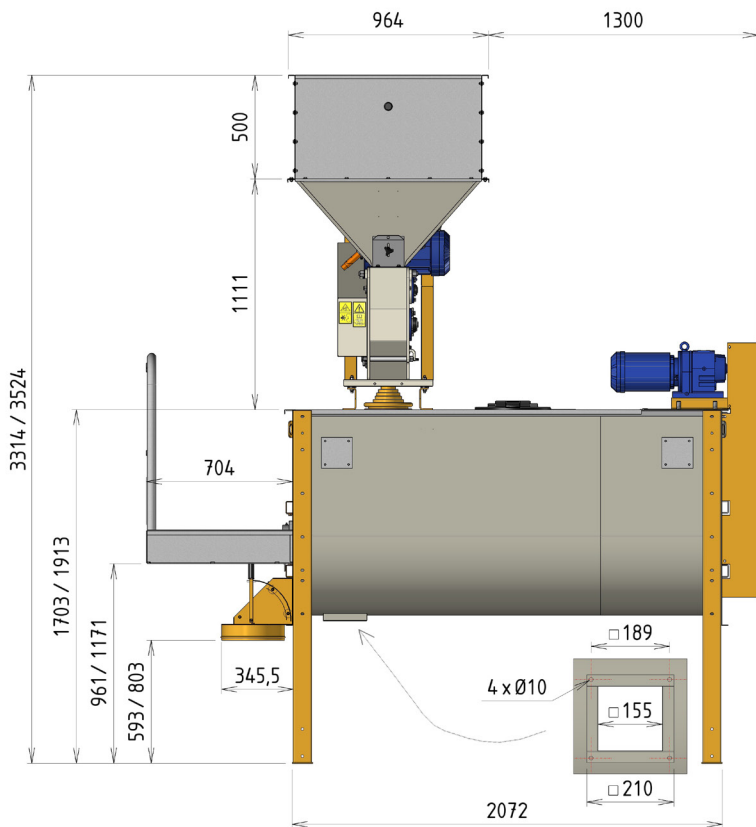
CRUSHERS WITH BLENDER H500



SKIOLD MAKES THE DIFFERENCE!

- Blender 1000L / 500kg
- Engine power 4kW
- Supplied with hopper extension for crusher (total = 600L)
- Control box in option
- RM1280 (blender H500 4kW + crusher 2 rollers RS280 5,5kW or 7,5kW)
- RM1350 (blender H500 4kW + crusher 3 rollers RS350 5,5kW or 7,5kW)

Item No.	Description
150 000 044 310	Crusher blender RM 1280 - 5,5kW without control box
150 000 044 303	Crusher blender RM 1280 - 7,5kW without control box
150 000 044 351	Crusher blender RM 1350 - 5,5kW without control box
150 000 044 352	Crusher blender RM 1350 - 7,5kW without control box



Gateway (option)
 Delivered with a ladder Option
 Max load: 120kg

	Weight (kg)	Total height (mm)		Length (mm)	Width (mm)
		Legs high position	Legs low position		
Crusher blender RM 1280 - 5,5kW	890	3524	3314	2267	1158
Crusher blender RM 1280 - 7,5kW	905				
Crusher blender RM 1350 - 5,5kW	910				
Crusher blender RM 1350 - 7,5kW	925				

