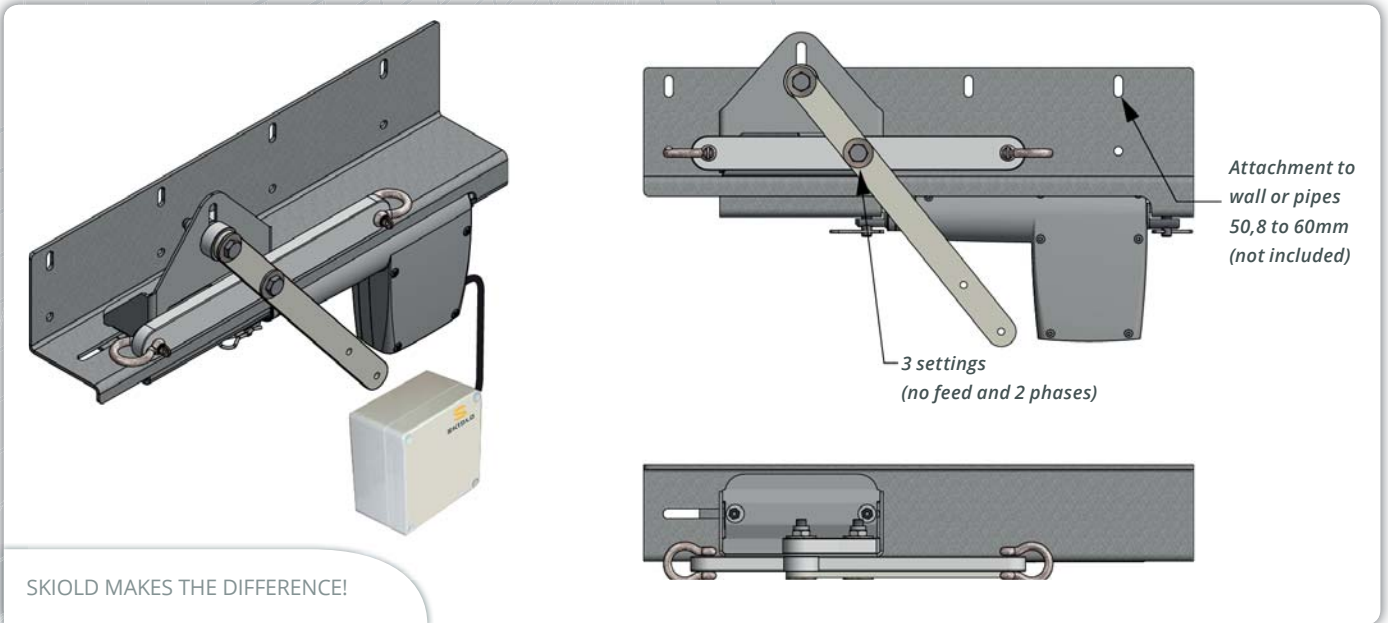




# TRANSPORK QUICK SHIFT ELECTRIC 35



SKIOLD MAKES THE DIFFERENCE!

## Technical information:

|                    |   |
|--------------------|---|
| Measurements WxDxH | : 550 x 114 x 274 mm  |
| Shipping weight    | : 9,0 kg.   |
| Switching speed    | : 10 sec.   |
| Temperature area   | : 4 - 50 °C   |
| Push - Pull        | : 250 kg corresponding to max. 50 phase slides.             |
| Activating Length  | : 57 mm SKIOLD standard for LineFeed phase slides.          |
| Supply             | : 24 VDC / Typ. < 2,0A                                      |
| Activating signals | : On connection - Unit runs in position, otherwise run into |
| initial            | position.   |
| Feedback           | : On connection in activated state.                         |
| Enclosure          | : IP 66.  |
| Installation       | : Ø60 - Ø50,8mm piping and wall mounted.                    |
| Included           | : Connection box.   |
| Turnable           | : Active in / out   |

## Technical information:

| Item number  | Description                                    |
|--------------|--|
| 140115120205 | Quick Shift electric35, complete               |
| 140115120215 | Connection diagrams for Quick Shift electric35 |
| 140649150260 | Mounting parts for Ø60mm pipe                  |
| 140649150250 | Mounting parts for Ø50,8mm pipe                |
| 140649150270 | Mounting parts for wall                        |

| Item number  | Spare parts                              |
|--------------|--|
| 140115120350 | Actuator motor to Quick Shift electric35 |
| 140115120280 | Connection box SK35                      |
| 140259005630 | Power supply                             |

## Quick Shift electric - Mounting

Quick Shift electric must always be mounted in same level as the phase slides, and the wire/solidwire must be mounted as a full circle, where the Quick Shift electric normally will be mounted on the wall or pipe somewhere on this wire circle. On the Quick Shift electric actuator, one meter of cable must connect the connection box.

