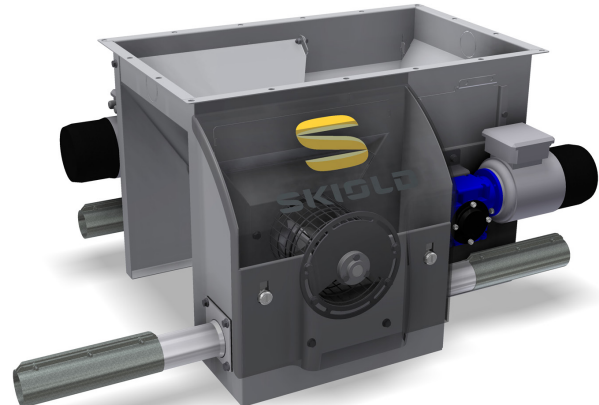
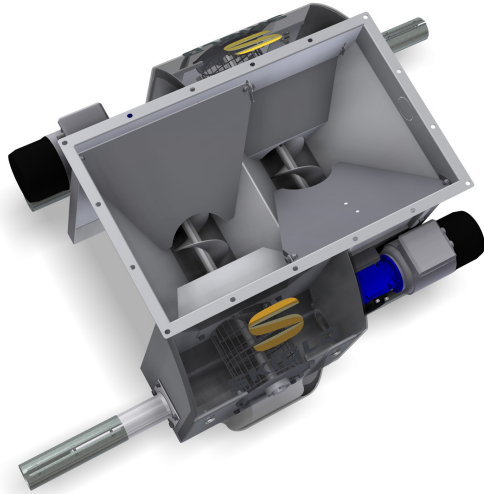




DOUBLE HOPPER TRANSPORK®



SKIOLD MAKES THE DIFFERENCE!

DOUBLE HOPPER

The Hopper is made of stainless steel

Fitted with stone trap

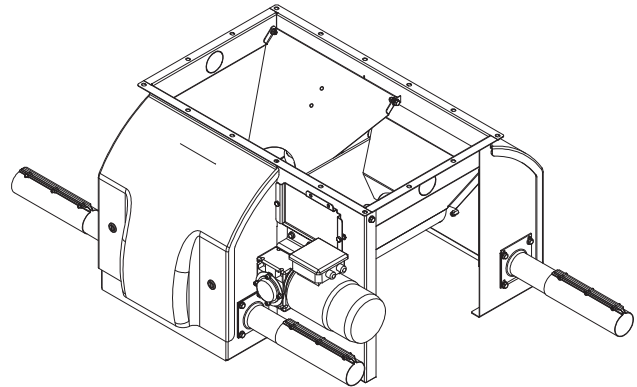
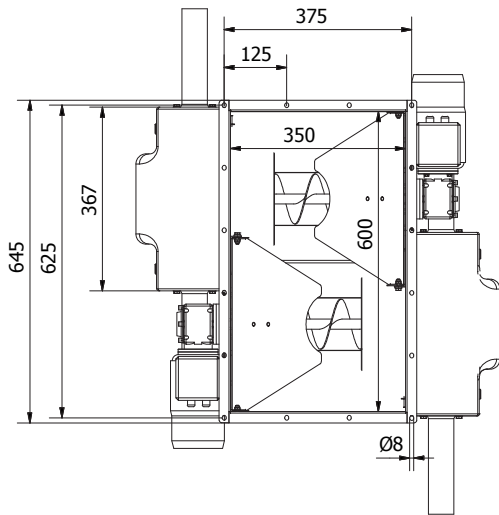
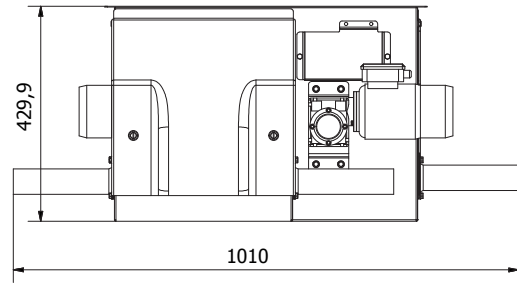
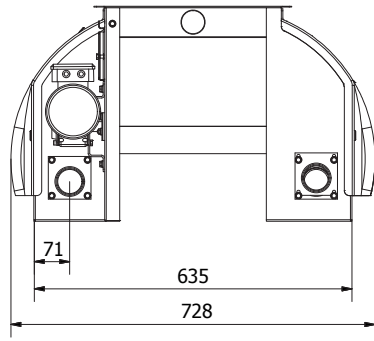
Mounting outdoors and indoors

Vibrator that prevents bridging

Glass lid for easy inspection

Available in 50,8mm and 60mm

Different transitions are available



All measures in mm.

TECHNICAL SPECIFICATIONS:

Data/Item number	140132320600	140132320800
Pipe Diameter	Ø50,8mm	Ø50,8mm
Capacity* litre/hour	600	1000
Rotational Speed	cable driven	cable driven
Linear speed at the Drive unit	22 metres/minute	22 metres/minute
Revolutions p/m at the Hopper	29 rpm.	29 rpm
Gear Ratio at the Hopper	cable driven	cable driven
Auger diameter/pitch	Ø100/60	Ø100/100



Data/Item number	140132320900	140132320700	140132321600	140132321500
Pipe Diameter	Ø50,8mm	Ø50,8mm	Ø60mm	Ø60mm
Capacity* litre/hour	630	1100	1440	900
Supply Voltage	3x230V/3x400V	3x230V/3x400V	3x230V/3x400V	3x230V/3x400V
Motor Size / Frequency	0,09kW 50Hz	0,09kW 50 Hz	0,09kW 50Hz	0,09kW 50Hz
Current at 230V/400V	0,74/0,43A	0,74/0,43A	0,74/0,43A	0,74/0,43A
Rotational Speed	1320 rpm	1320 rpm	1320 rpm	1320 rpm
Linear speed at the Drive unit	22 metres/minute	22 metres/minute	22 metres/minute	22 metres/minute
Revolutions p/m at the Hopper	26 rpm	33 rpm	52 rpm	52 rpm
Gear Ratio at the Hopper	50:1	40:1	25:1	25:1
Auger diameter/pitch	Ø100/70	Ø100/100	Ø100/80	Ø100/50

*Guideline density: Flour = 0,55 kg/liter, Pellets = 0,7 kg/liter.

Please note: Capacity in flour feed can vary considerably, depending on the feed's nature.