



## SKIOLD HOPPER TRANSPORK®



SKIOLD MAKES THE DIFFERENCE!

### SKIOLD HOPPER

The Hopper is made of stainless steel

Fitted with stone trap

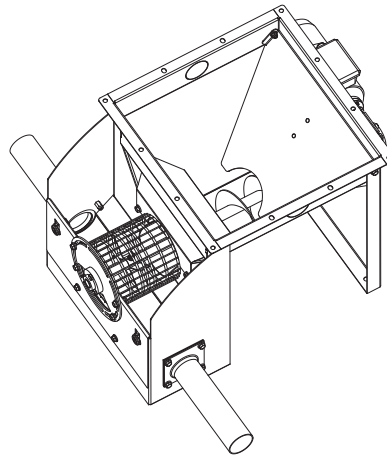
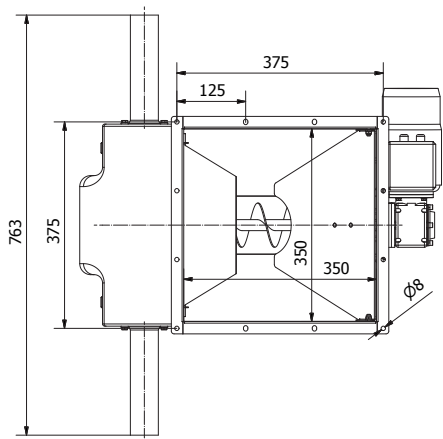
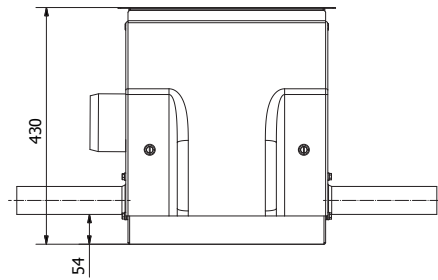
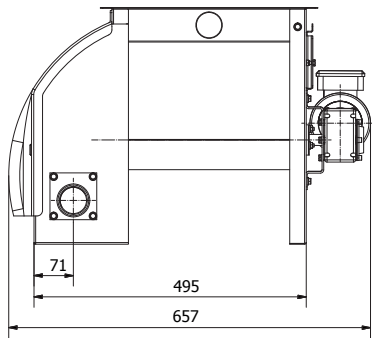
Mounting outdoors and indoors

Vibrator that prevents bridging

Glass lid for easy inspection

Available in 50,8mm and 60mm

Different transitions are available



All measures in mm.

### TECHNICAL SPECIFICATIONS:

DATA/ITEM NUMBER	140132321200	140132321100	140132320300	140132320200
Pipe Diameter	Ø50,8mm	Ø50,8mm	Ø50,8mm	Ø50,8mm
Capacity* litre/hour	630	600	1000	1100
Supply Voltage	3x230V/3x400V			3x230V/3x400V
Motor Size / Frequency	0,09kW 50Hz			0,09kW 50 Hz
Current at 230V/400V	0,74/0,43A			0,74/0,43A
Rotational Speed	1320 rpm	cable driven	cable driven	1320 rpm
Linear speed at the Drive unit	22 metres/minute	22 metres/minute	22 metres/minute	22 metres/minute
Revolutions p/m at the Hopper	26 rpm	29 rpm.	29 rpm	33 rpm
Gear Ratio at the Hopper	50:1	cable driven	cable driven	40:1
Auger diameter/pitch	Ø100/70	Ø100/60	Ø100/100	Ø100/100

DATA/ITEM NUMBER	140132322400	140132320400	140132321400
Pipe Diameter	Ø60,0mm	Ø60,0mm	Ø60,0mm
Capacity* litre/hour	900	1440	2700
Supply Voltage	3x230V/3x400V		
Motor Size / Frequency	0,09kW 50Hz		
Current at 230V/400V	0,74/0,43A		
Rotational Speed	1320 rpm	1320 rpm	1320 rpm
Linear speed at the Drive unit	22 metres/minute	22 metres/minute	34 metres/minute
Revolutions p/m at the Hopper	52 rpm	52 rpm	88 rpm
Gear Ratio at the Hopper	25:1	25:1	15:1
Auger diameter/pitch	Ø100/50	Ø100/80	Ø100/90

\*Guideline density: Flour = 0,55 kg/liter, Pellets = 0,7 kg/liter.

Please note: Capacity in flour feed can vary considerably, depending on the feed's nature.