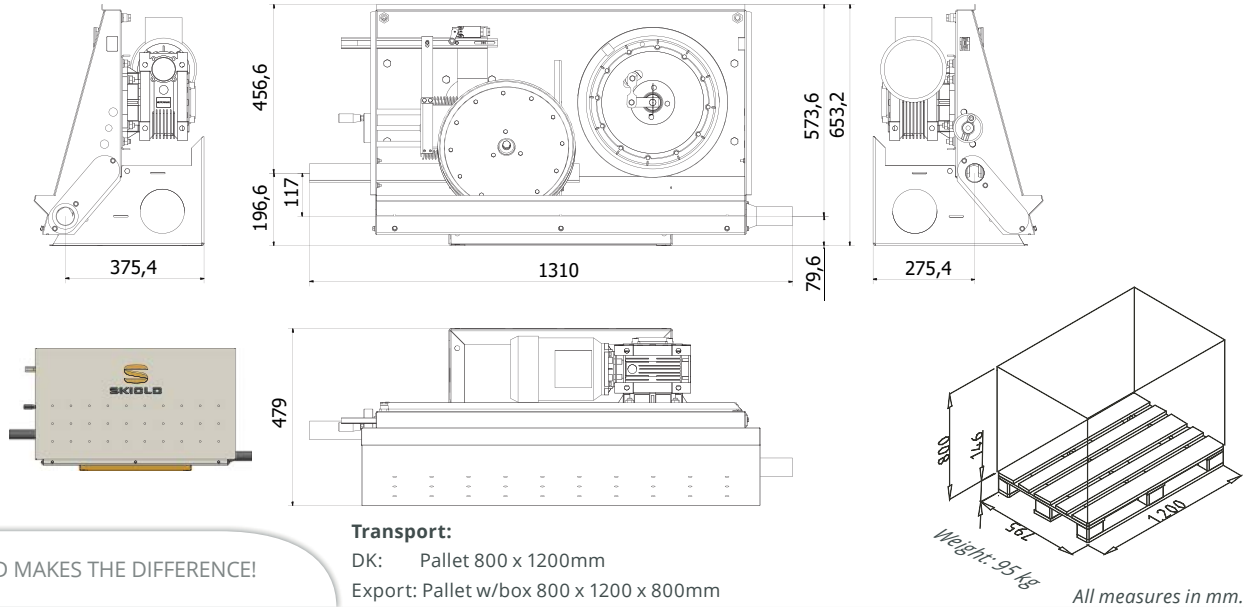




DRIVE UNIT TRANSPORK®



SKIOLD MAKES THE DIFFERENCE!

Transpork cable feeding system can be used for transport of materials with a diameter of up to 5 mm and a length of max. 10 mm. The feeding system is not recommended for use with beet-and other hard pellets.

Finish: Painted

Included are:

- 1 off inlet pipe
- 1 off outlet pipe
- 1 off complete cable connector
- 1 off assembly tool
- 1 off bolt kit including 2 off safety pieces

TECHNICAL SPECIFICATIONS

Data/Item number	140131050875
Pipe dia./ Motor size	Ø50,8mm/0,75kW
Supply Voltage	3x230V/3x400V
Frequency	50Hz
Rotational speed	900 rpm
Current at 3x230V	3,6A
Current at 3x400V	2,1A
Gear ratio	50:1
Linear speed	22 meters/minute
Pipe content at 60% fill.	0,90 liter/meter
Capacity at 60% filling.	Up to 1200 liter/hour

Guideline density: Flour = 0,55 kg/liter, Pellets = 0,7 kg/liter.

Please note: Capacity in flour feed can vary considerably, depending on the feed's nature.



Dimensioning diagram Transpork

This dimensioning diagram is used for calculating the max. plant length.
The various components in the plant contribute with their own load.
In order to facilitate the calculation, the various loads are converted into pipe lengths according to following directions.

Influence:	Number	Contrib.	Calculated pipe length m
1 m horizontal transport pipe		1	
1 m transport pipe with 45° inclination		2	
1 m vertical transport pipe		5	
Corner		12,5	
Hopper with motor, straight passage		5	
Hopper without motor, straight passage		30	
1 m empty horizontal transport pipe		-0,5	
Total pipe length, converted =			

The total converted pipe length cannot exceed the below max. values for the various drive units.

Drive units./Transpork	Max. converted pipe length	
	Pellets	Flour
Drive unit Ø50,8mm/22/0,75kW	425m	500m

Note: The TransPork plant can be used for transporting materials with a diameter of up to Ø5 mm, the length cannot exceed 10 mm.
The plant cannot be recommended transporting beet pellets and other hard pellets.
Max. length of transport wire is 350 metres due to drive unit tensioning capability.