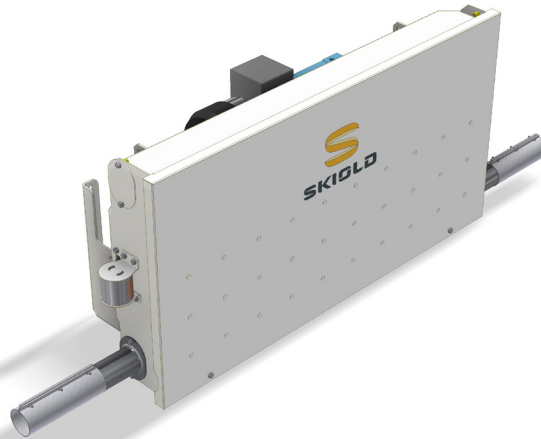




SKIOLD 60MM DRIVE UNIT



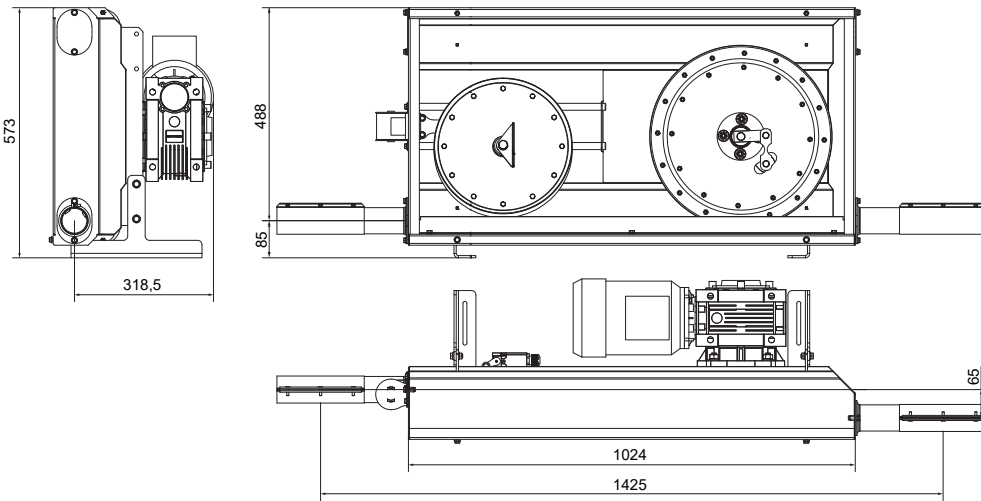
SKIOLD MAKES THE DIFFERENCE!

SKIOLD Transpork cable feeding system can be used for transport of materials with a diameter of up to 5 mm and a length of max. 10 mm. The feeding system is not recommended for use with beet-and other hard pellets. Finish: Painted or stainless steel.

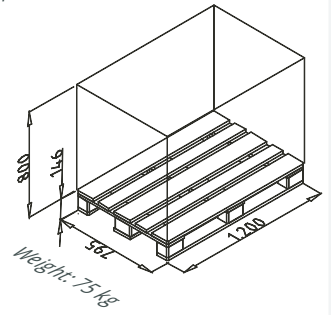
Included are:

- 2 stubs pipe
- 1 off complete cable connector
- 1 off assembly tool
- 1 off bolt kit including 2 off safety pieces





Transport:
 DK: Pallet 800x1200mm
 Export: Pallet w/box 800x1200x800mm



All measures in mm.

TECHNICAL SPECIFICATIONS

Data/Item number	140131060075	140131260075 (A2)	140131060011	140131260011 (A2)
Pipe dia./ Motor size	Ø60mm/0,75kW	Ø60mm/0,75kW	Ø60mm/1,1kW	Ø60mm/1,1kW
Supply Voltage	3x230V/3x400V	3x230V/3x400V	3x230V/3x400V	3x230V/3x400V
Frequency	50Hz	50Hz	50Hz	50Hz
Rotational speed	1000 rpm	1000 rpm	1400 rpm	1400 rpm
Current at 3x230V	3,6A	3,6A	4,7A	4,7A
Current at 3x400V	2,1A	2,1A	2,7A	2,7A
Gear ratio	50:1	50:1	50:1	50:1
Linear speed	22 meters/minute	22 meters/minute	34 meters/minute	34 meters/minute
Pipe content at 60% fill.	1,45 liter/meter	1,45 liter/meter	1,45 liter/meter	1,45 liter/meter
Capacity at 60% filling.	Up to 1900 liters/hour	Up to 1900 liters/hour	Up to 3000 liters/hour	Up to 3000 liters/hour

A2 = stainless steel. Guideline density: Flour = 0,55 kg/liter, Pellets = 0,7 kg/liter.

Please note: Capacity in flour feed can vary considerably, depending on the feed's nature.

This dimensioning diagram is used for calculating the max. plant length. The various components in the plant contribute with their own load. In order to facilitate the calculation, the various loads are converted into pipe lengths according to following directions.

INFLUENCE:	NUMBER	CONTRIB.	CALCULATED PIPE LENGTH-M
1 m horizontal transport pipe		1	
1 m transport pipe with 45° inclination		2	
1 m vertical transport pipe		5	
Corner		12,5	
Hopper with motor, straight passage		5	
Hopper without motor, straight passage		30	
1 m empty horizontal transport pipe		-0,5	
Total pipe length, converted =			

The total converted pipe length cannot exceed the below max. values for the various drive units.

DRIVE UNITS/TRANSPORK	MAX. CONVERTED PIPE LENGTH	
	Pellets	Flour
Drive unit Ø60,0mm/22/0,75kW	360m	450m
Drive unit Ø60,0mm/34/1,1kW	300m	350m

Note: The TransPork plant can be used for transporting materials with a diameter of up to Ø5 mm, the length cannot exceed 10 mm. The plant cannot be recommended transporting beet pellets and other hard pellets. Max. length of transport wire is 350 metres due to drive unit tensioning capability.