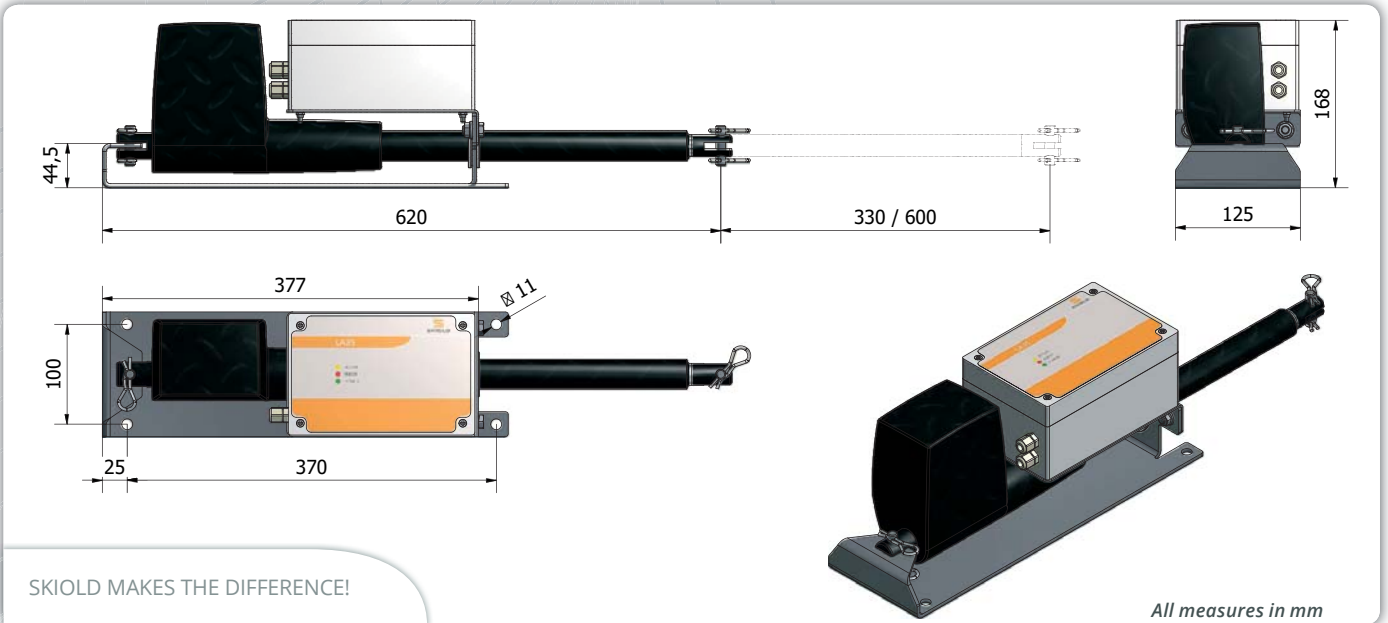




# SKIOLD LA35 SERVOMOTOR



Used to open/close wall- and ceiling air inlet valves. Also used for emergency opening. Suitable for up to 70 wall-/ceiling air inlet valves per servo motor.

Built-in electronic potentiometer for accurate positioning.

Adjustable stroke

Standard or intelligent emergency opening

Built-in alarm relay, built-in power supply and optional connection of emergency thermostat.

Continuous surveillance of supply voltage, control voltage, battery voltage, actuator position and current consumption - when detecting an error, emergency opening and alarm relay are activated.

Built-in back-up battery. Stand-by current consumption without mains supply: 20mA.

Battery back-up before the battery is flat: 30 timer. Battery capacity checked every 30 hours.

Lamps are used for error indication.

Green lamp: ON; Red lamp: ERROR

Yellow lamp flashes with varying frequency depending on the strength of the control signal (2V = slow, 10V = fast)

Actuator automatic reset every 7 days.

## Control unit

Supply Voltage	Trafo	Battery	Primary Fuse	Dig. Input 0 & 1	Analogue Input	Sealing Grade	Intermittence
230VAC +10%/-20%	40VA 24 VAC	12V 1.2 A/h	800mAT 5x20mm	24VAC	0 - 10VDC	IP65	50% (max. load)

## Actuator

Item number	Max. pulling force	Stroke	Sealing grade	Spindle
140616004450	4000N	330mm	IP66	Fixed to prevent rotation
140616004443	4000N	600mm	IP66	Fixed to prevent rotation

