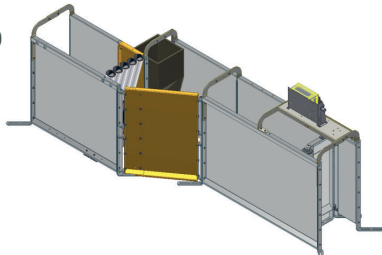




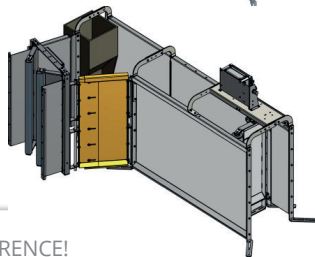
# ESF TRAINING STATIONS

Training station including automatic control of the entry gate

140571100100

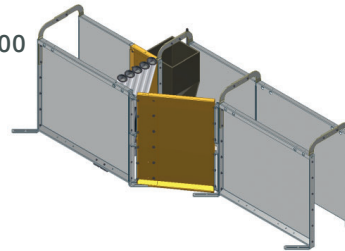


140571100300

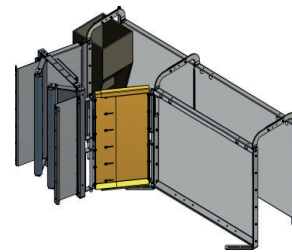


Training station without controlbox and entry gate

140571100200



140571100400



SKIOLD MAKES THE DIFFERENCE!

- A training station, where the young sows are left alone to eat, and learn to walk through the exit door.
- **Entry gate with automatic control.**
- 3 settings:
- **0:** the station is closed.
- **MAN:** the entry gate is permanently open.
- **AUT:** entry gate is open, closes based on a setting delay time, after the sow is below the sensor. The gate opens again after a second setting delay time.
- Ad libitum trough for dry feed.
- Possibility of having a water valvet in the trough.
- Exit door: Salon gate or pipe exit. 5 pipes which tilts up when the sow walk through.
- **External connections:**
- 230 Vac (plug+3m cable included)
- Air supply of min. 4 bar.
- Water supply of min. 3 bar.
- Feed supply to the trough.

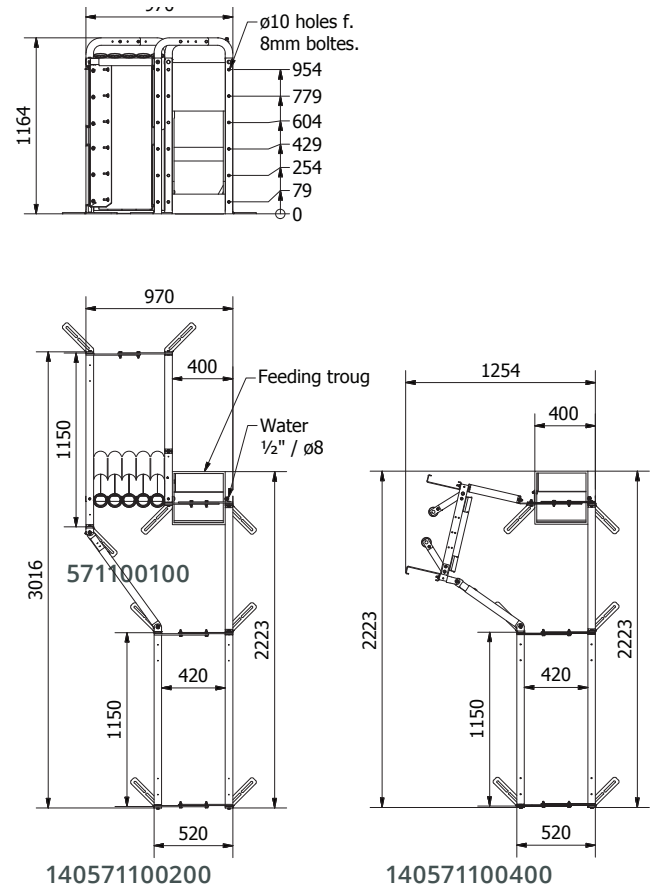
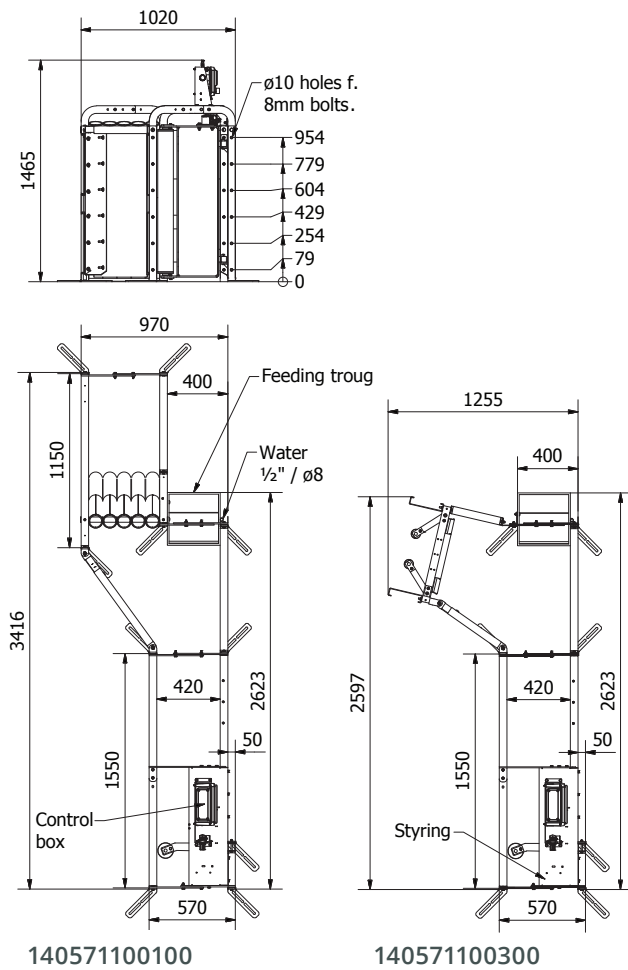
- A simple training station, where the young sows learn how to eat in the station, and learn to walk through the exit door.
- **No entry gate.**
- No automatic control.
- Ad libitum trough for dry feed.
- Possibility of having a water valvet in the trough.
- Exit door: Salon gate or pipe exit. 5 pipes which tilts up when the sow walk through.
- **External connections:**
- Water supply of min. 3 bar.
- Feed supply to the trough.



**SKIOLDGROUP**

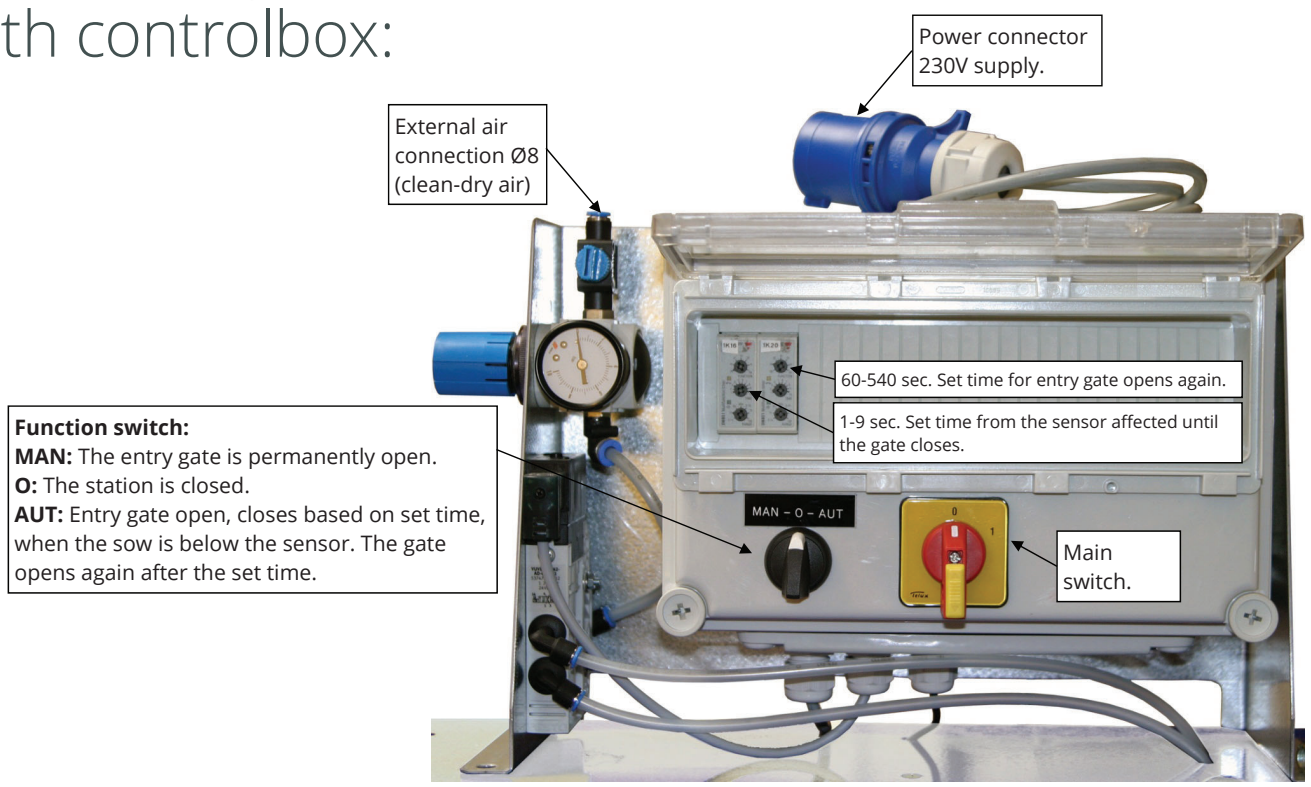
# ESF training station with controlbox:

# ESF training station without controlbox:



There must always be 300mm from the wall to the entry gate/exit door, to prevent the sows, from lying down in front of the entry gate or the exit door.

# ESF training station with controlbox:



**Function switch:**  
**MAN:** The entry gate is permanently open.  
**O:** The station is closed.  
**AUT:** Entry gate open, closes based on set time, when the sow is below the sensor. The gate opens again after the set time.