

# SKIOLD FIN TUBES



SKIOLD MAKES THE DIFFERENCE!

## TECHNICAL SPECIFICATIONS:

Heat Source	Forward/Return Water Temp. °C	Room Temperature °C	Heat Rejection W pr. m fin tube	
			1"	1½"
Gas Boiler	80°C/60°C	17 °C	418 W	584 W
		20 °C	387 W	548 W
		24 °C	347 W	500 W
Oil / Bio Mass Boiler	70°C/50°C	17°C	318 W	465 W
		20°C	290 W	430 W
		24°C	253 W	383 W
High temperature Heat Pump	60°C/50°C	17°C	271 W	406 W
		20°C	244 W	371 W
		24°C	208 W	325 W
Heat Pump	50°C/40°C	17°C	182 W	291 W
		20°C	157 W	257 W
		24°C	125 W	212 W

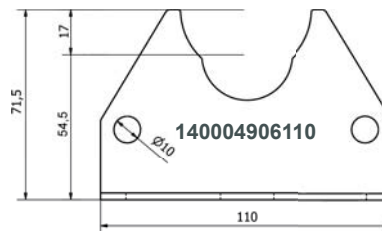
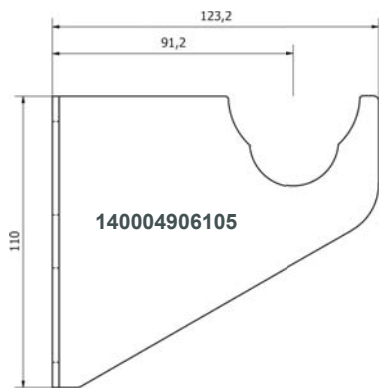
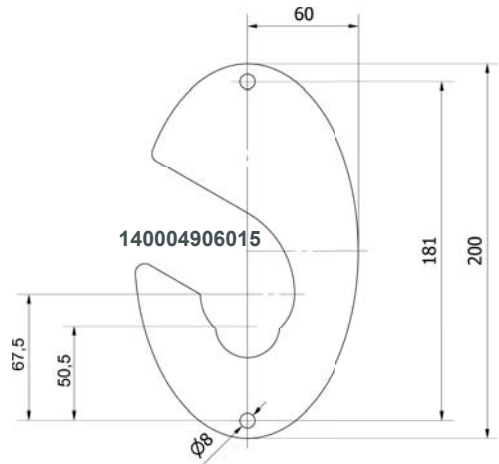
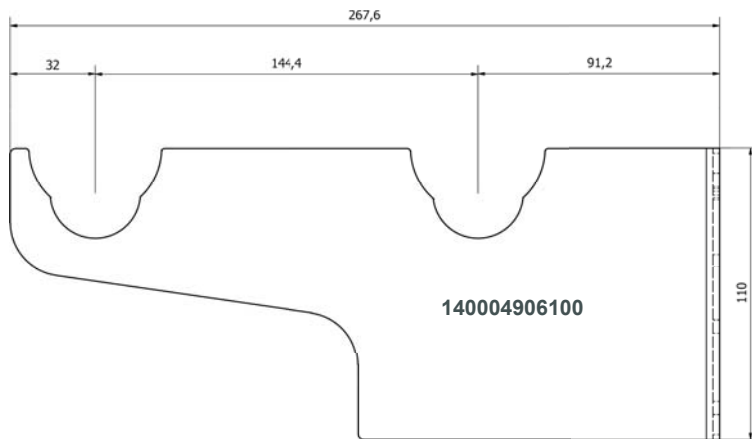
## TECHNICAL SPECIFICATIONS:

Data/Item number	140004903201	140004903202	140004903203	140004903251	140004903252	140004903253
Pipe diameter	1"	1"	1"	1½"	1½"	1½"
Length	1 metre	2 metre	3 metre	1 metre	2 meter	3 meter
Weight	6,3 kg	12,6 kg	18,9 kg	9,5 kg	18,9 kg	28,4 kg



**SKIOLD  
& VMS**

# SUPPORTS FOR FIN TUBES



Tube support double 1", 1½", with screws				Tube support u-profile 1", 1½", w. screws			
Design	Item no.	Material	Weight excl. screws	Design	Item no.	Material	Vægt excl. screws
	140004906100	Stainless Steel	0,429 kg		140004906110	Stainless Steel	0,152 kg
Tube support single 1", 1½", with screws				Tube support for downstrapping 1", 1½"			
	140004906105	Stainless Steel	0,210 kg		140004906015	Stainless Steel	0,265 kg