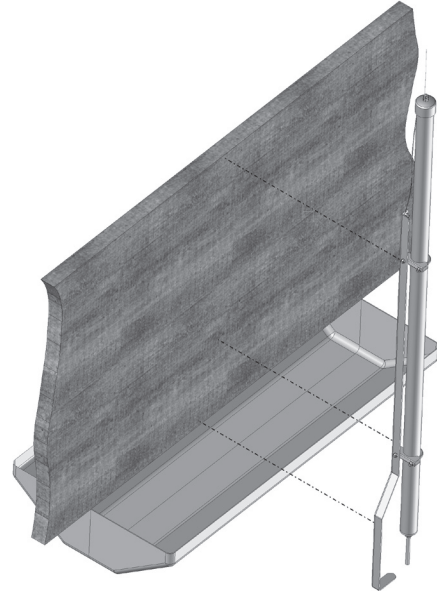




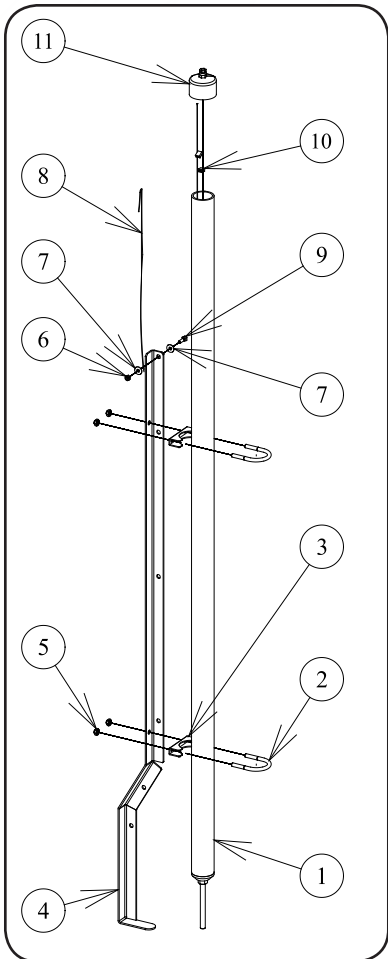
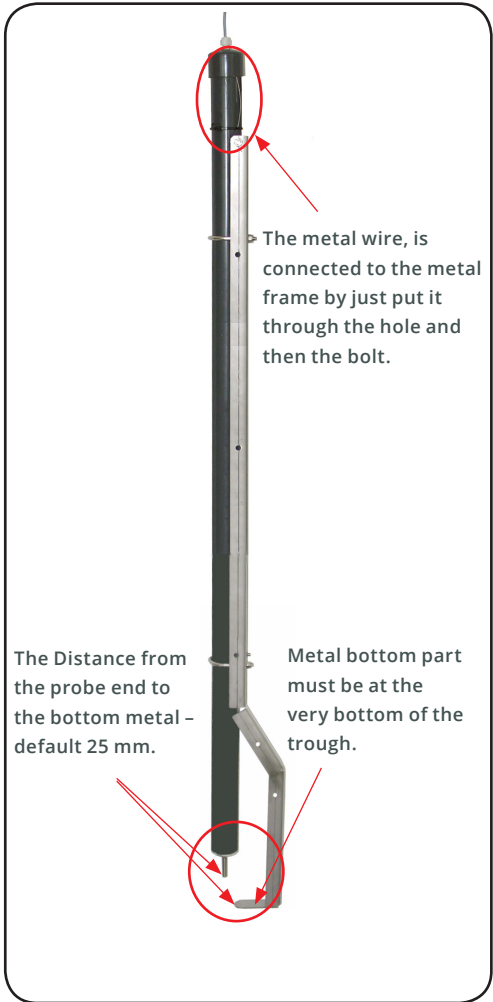
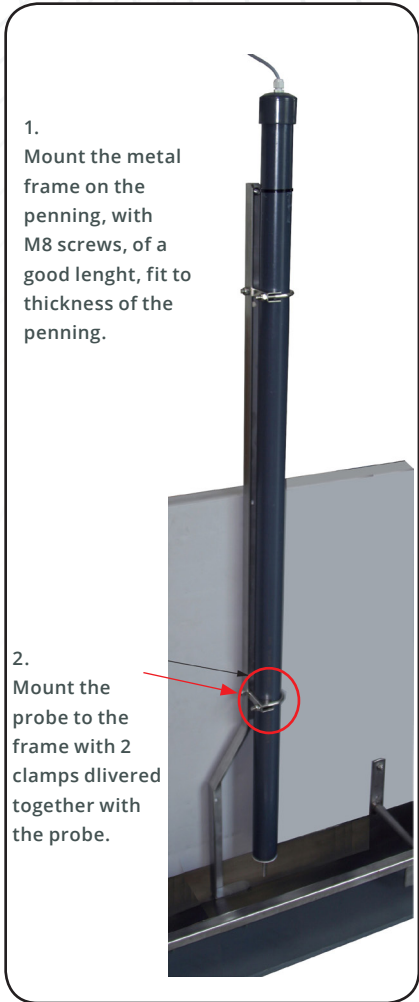
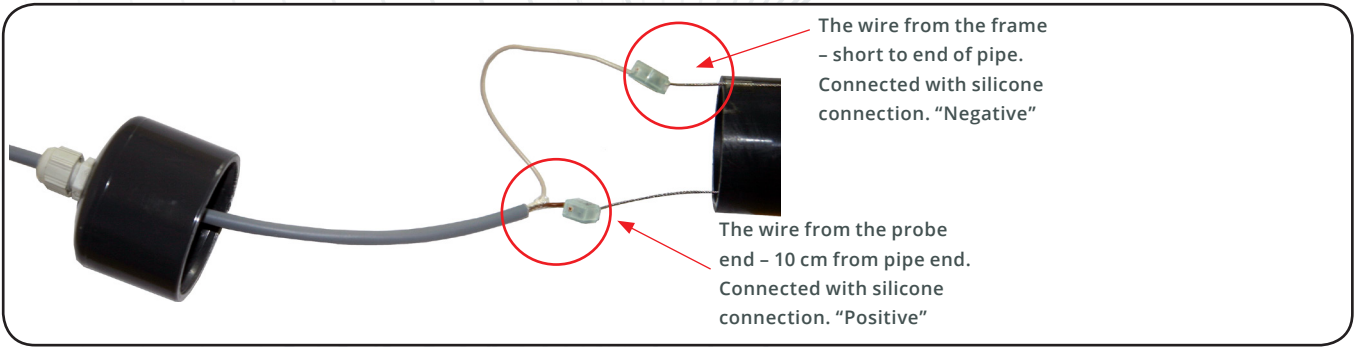
PROBES FOR LIQUID FEEDING - LONG TROUGH



SKIOLD MAKES THE DIFFERENCE!

- The purpose of the probe is to detect a trough containing soup (max) when the soup covers the electrode of the probe, and detect a trough almost empty (mini) when the soup does not cover the probe.
- The detection is done by measuring the electrical resistance between the electrode of the probe and the mass by injection of an alternating current.
- This probe is only intended for large troughs for pigs from 15 to 110 kg.
- The probe comprises the electrode in a PVC tube and a stainless steel support which serves as a mass.
- The PVC tube of the electrode is closed by a removable PVC cap equipped with a cable gland which allows making the electrical connection in the tube using silicone dominoes provided.
- 4 M8 screws with washer and nuts are required for attachment but are not supplied. They are to be determined according to the nature and the thickness of the wall.

Item No.	Name	Weight
140 309 050 790	Probe complete without mounting screws.	3,7 kg



Item	Reference	Qty	Designation
1	150323413000	1	PVC probe Ø50 prepared
2	140619208050	2	U-Clamps
3	140649200510	2	Bottom of u-clamps
4	140309050756	1	Probe support
5	130006000944	4	Nut lock A2 M8 DIN985
6	130006000947	1	Nut A2 M8 DIN 934
7	150200681408	2	Washer A2 Ø8-18
8	140658200100	1	Wire Ø1
9	130006000391	1	Bolt M8.16 DIN933
10	140753000051	2	Silicone connection
11	140674545005	1	Top Ø50mm DM6000 pigmix