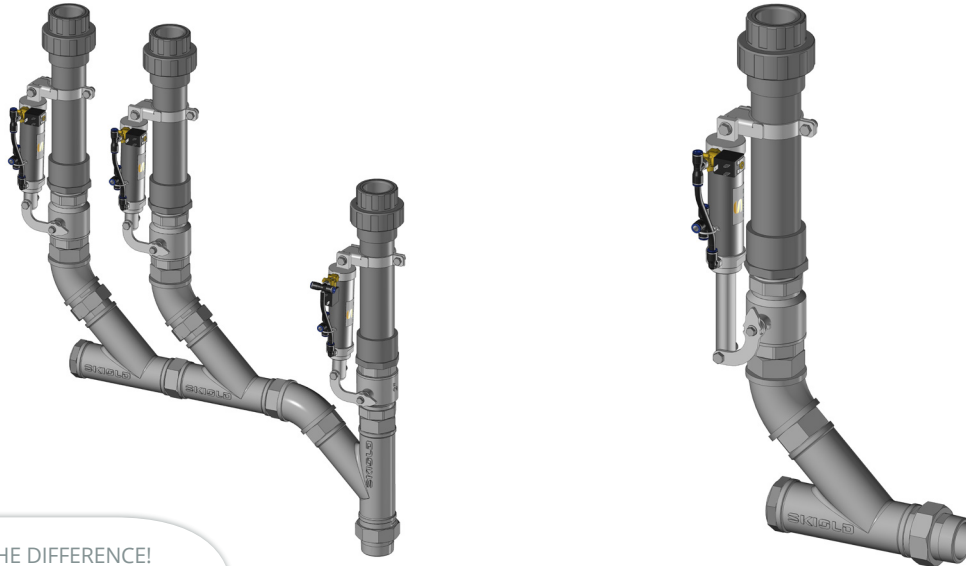




BALL VALVE FOR MAIN CIRCUIT



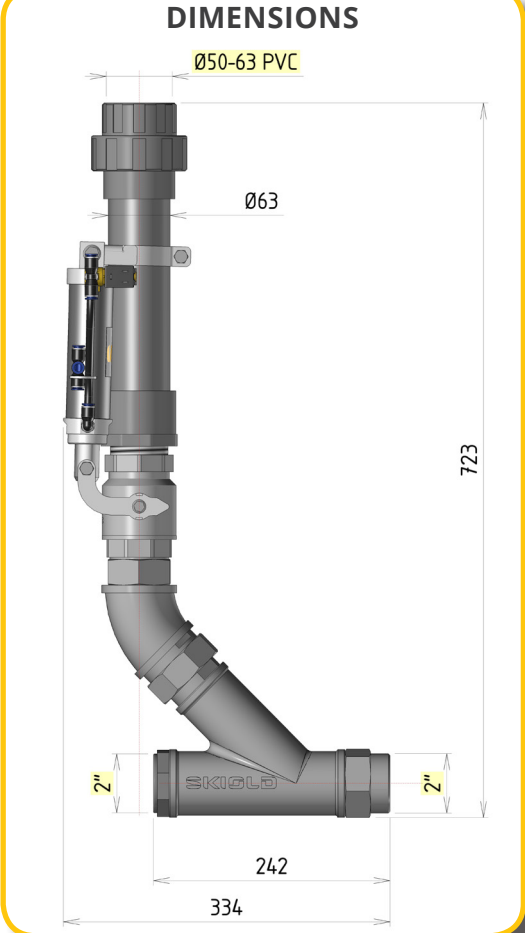
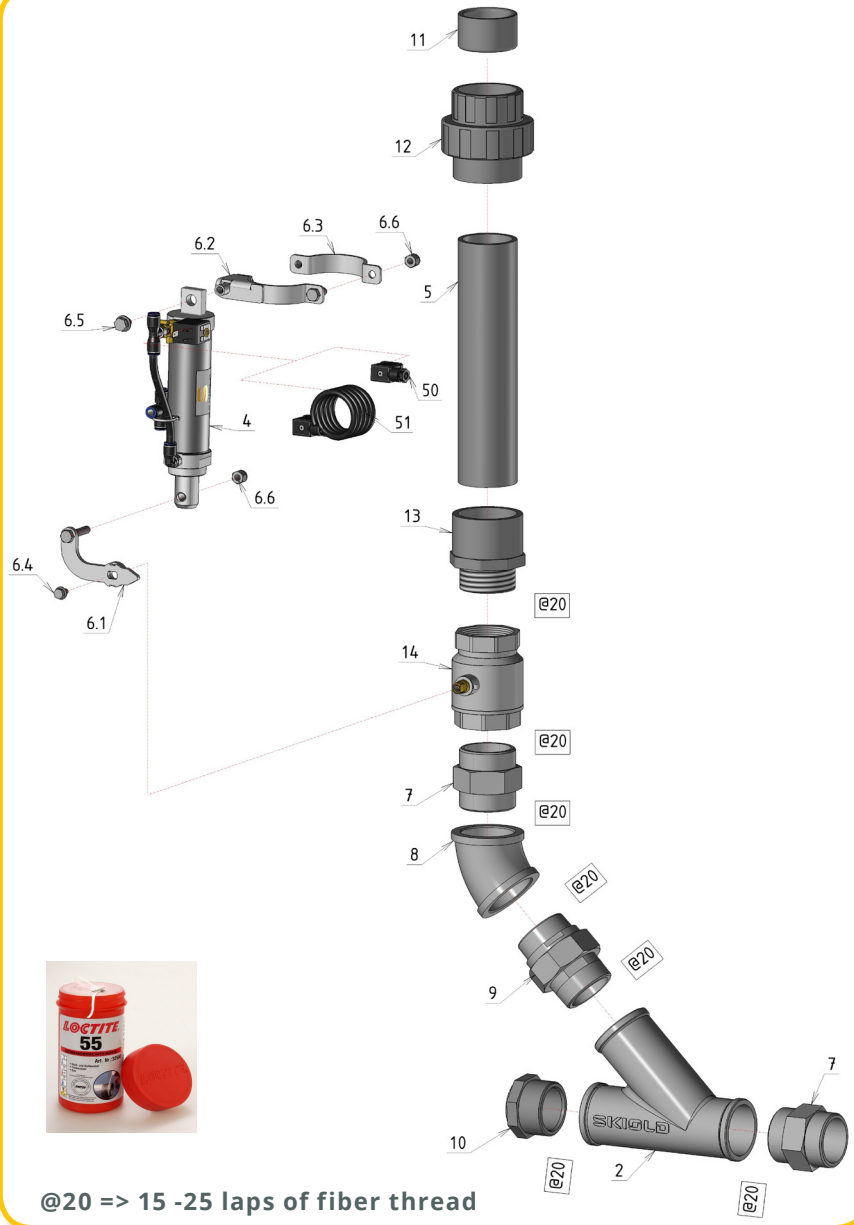
SKIOLD MAKES THE DIFFERENCE!

- The valves used are ball valves. Their use is recommended for long circuits, and, circuits that require a lot of flow rate. Indeed, these ball valves, and the design of the piping, produce nearly no flow reduction or no pressure.
- All packages are delivered as parts, and must be assembled on location.
- The possibility to assemble these packages on cluster makes it possible to build the pipe network.
- All threads must be wrapped with 15-25 laps of fiber thread (@15-25), or other sealant.
- Remember at mounting place, to take into consideration, the mounting position of the cylinder.
- All valves packets are delivered as standard with adaptators to be able to mount on Ø50 & Ø63 as well.
- The valves can be ordered according to the following combinations that follow:

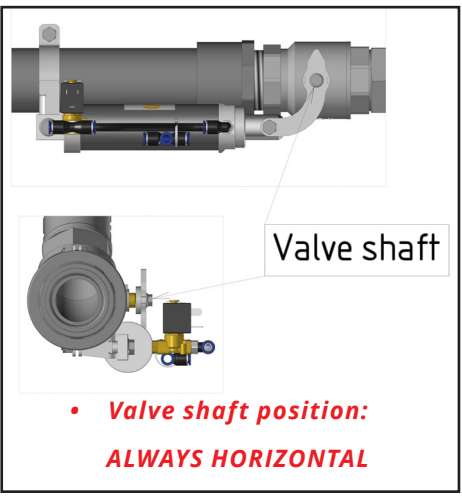
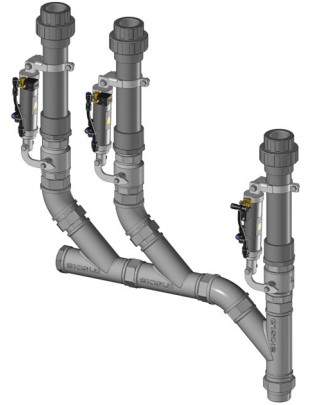


Item No.	Description
150 323 690 000	Ball valve for main circuit assembled - Without plug
150 323 690 000	Ball valve for main circuit (kit) - Without plug
150 000 106 301	Ball valve for main circuit (kit) - With plug
150 000 109 137	Ball valve for main circuit (kit) - With plug + diode + 10m wire





MOUNTING EXAMPLE



Pos.	Item No.	Number	Designation
2	140 672 250 500	1	Stainless steel Y F 2"
4	150 323 688 000	1	Cylinder Ø40 C.90 - 24 DC - Ø8 (pneumatic)
4.1	140 633 035 003	1	Solenoid valve Asco 24V NF - Alone
5	150 323 689 000	1	PVC pipe Ø63x250
6.1	150 323 680 000	1	Welded connecting rod for 1 1/2 and 2" valves
6.2	150 323 681 000	1	Cylinder attachment Ø63
6.3	150 323 681 010	1	Half clamp for cylinder attachment Ø63
7	150 200 000 001	2	Stainless steel hexagonal nipple M 2 "
8	150 200 000 002	1	Stainless steel bend 45° F 2"
9	150 200 000 003	1	Stainless union inox M 2"
10	150 200 000 004	1	PVC pressure cap M 2"
11	150 200 762 759	1	PVC M63 F50 reduction
12	150 200 762 863	1	PVC Union 16b 3P Ø63
13	150 200 762 958	1	PVC fitting M 2" - Ø75M/Ø63F
14	150 200 769 145	1	Ball valve 2" Axle=Ø18x14
50	140 633 035 000	0 or 1	Connector Solenoid valve Asco
51	140 633 035 023	0 or 1	Connector + diode + wire 10m
60	140 009 008 007		Loctite 55, fiber thread to pipe, 150m

SKIOLD A/S · CVR: DK 57 08 1112 Sæby · All rights reserved

