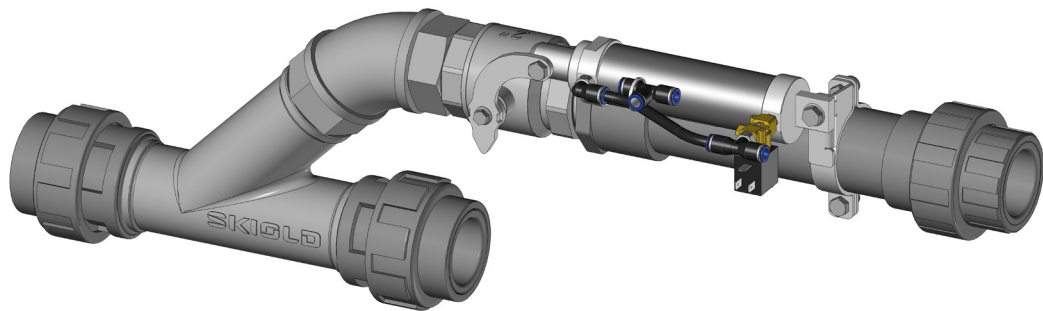




## BALL VALVE FOR SUB CIRCUIT



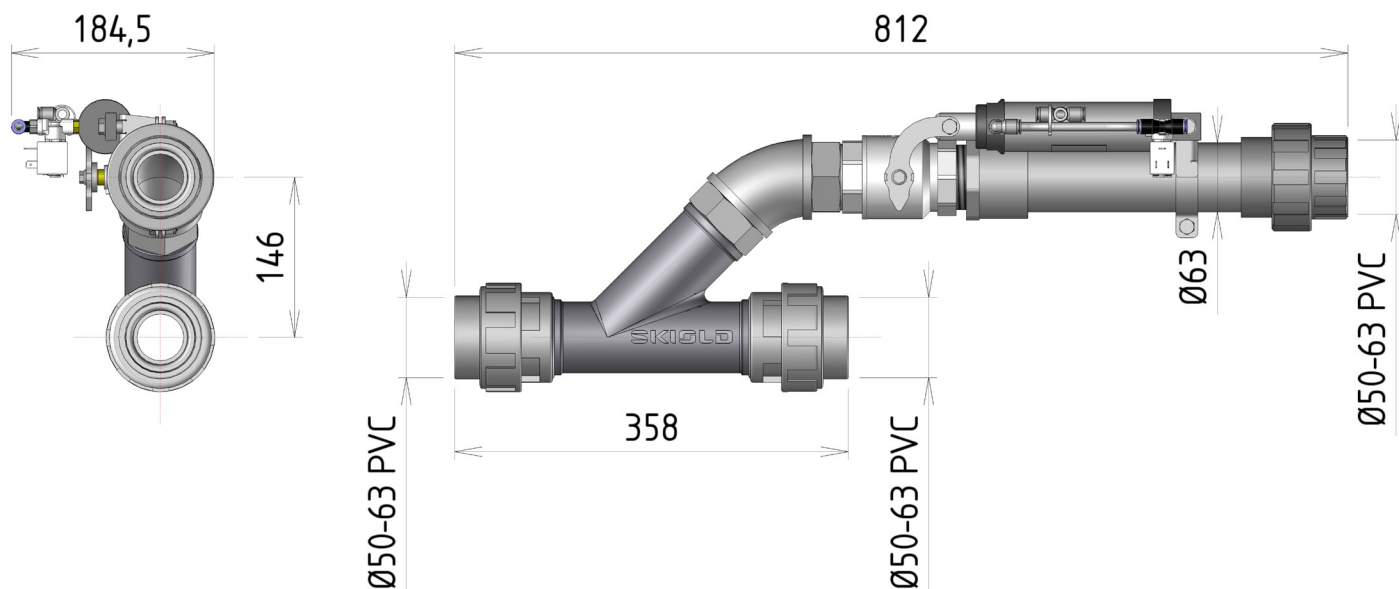
SKIOLD MAKES THE DIFFERENCE!

- The valves used are ball valves. Their use is recommended for long circuits, and, circuits that require a lot of flow rate. Indeed, these ball valves, and the design of the piping, produce nearly no flow reduction or no pressure.
- These valves are used to create sub circuits from the main circuit.
- All packages are delivered as parts, and must be assembled on location.
- All threads must be wrapped with 15-25 laps of fiber thread (@15-25), or other sealant.
- Remember at mounting place, to take into consideration, the mounting position of the cylinder.
- All valves packets are delivered as standard with adaptators to be able to mount on Ø50 & Ø63 as well.
- The valves can be ordered according to the following combinations that follow:

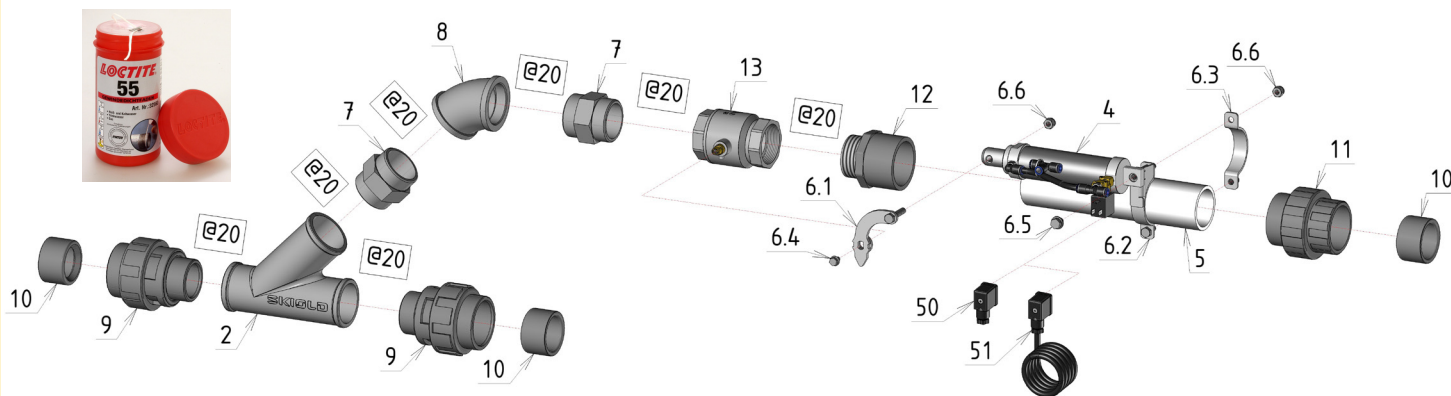
Item No.	Description
150 323 691 000	Ball valve for sub circuit - Without plug
150 000 106 300	Ball valve for sub circuit - With plug
150 000 109 136	Ball valve for sub circuit - With plug + diode + 1m wire
140 009 008 007	Loctite 55, fiber thread to pipe, 150m



## DIMENSIONS



@20 => 15 -25 laps of fiber thread



Pos.	Item No.	Number	Designation
2	140 672 250 500	1	Stainless steel Y F 2"
4	150 323 688 000	1	Cylinder Ø40 C.90 - 24 DC - Ø8 (pneumatic)
4.1	140 633 035 003	1	Solenoid valve Asco 24V NF - Alone
5	150 323 689 000	1	PVC pipe Ø63x250
6.1	150 323 680 000	1	Welded connecting rod for 1 1/2" and 2" valves
6.2	150 323 681 000	1	Cylinder attachment Ø63
6.3	150 323 681 010	1	Half clamp for cylinder attachment Ø63
7	150 200 000 001	2	Stainless steel hexagonal nipple M 2 "
8	150 200 000 002	1	Stainless steel bend 45° F 2"
9	150 200 000 005	2	PVC Union 16b 3P M 2" - F Ø63
10	150 200 762 759	3	PVC M63 F50 reduction
11	150 200 762 863	1	PVC Union 16b 3P Ø63
12	150 200 762 958	1	PVC fitting M 2" - Ø75M/Ø63F
13	150 200 769 145	1	Spherical valve 2" Axle=Ø18x14
50	140 633 035 000	0 or 1	Connector Solenoid valve Asco
51	140 633 035 034	0 or 1	Connector + diode + wire 1m
60	140 009 008 007		Loctite 55, fiber thread to pipe, 150m

