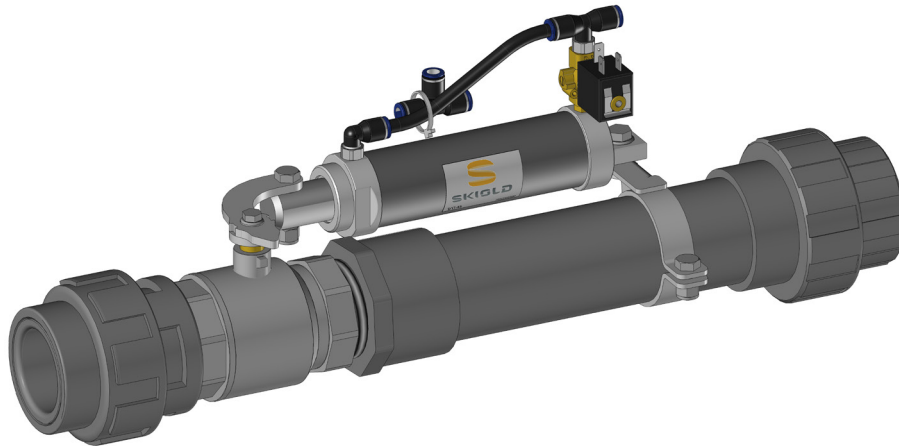




BALL VALVE FOR EXTRA CIRCUIT



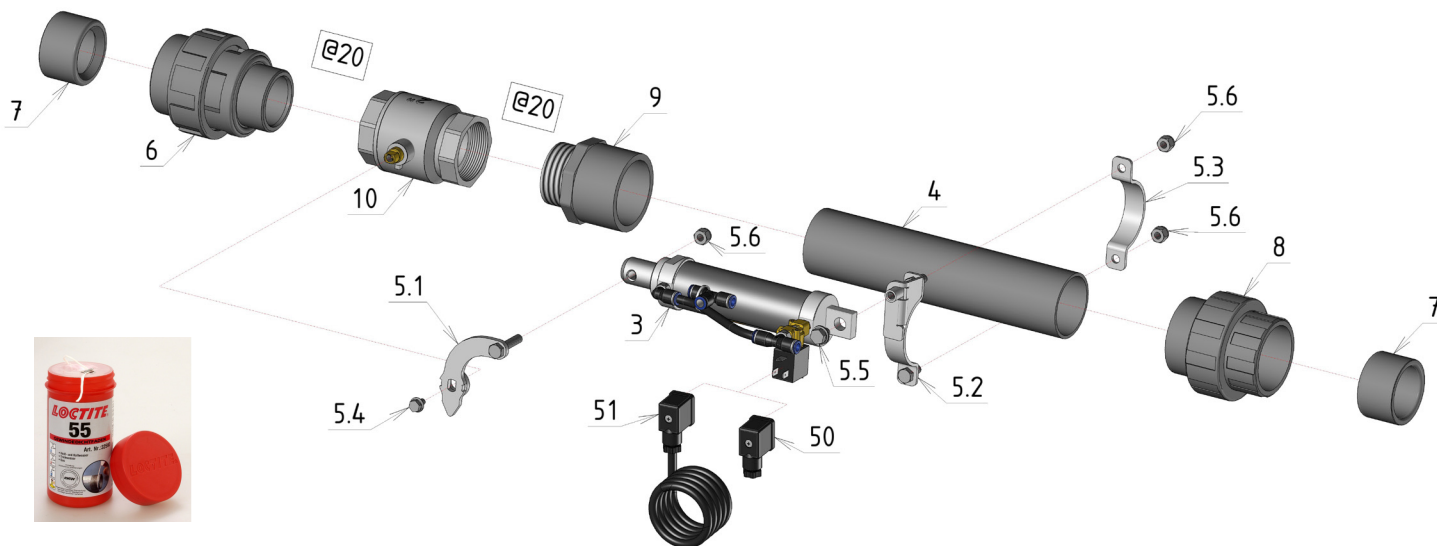
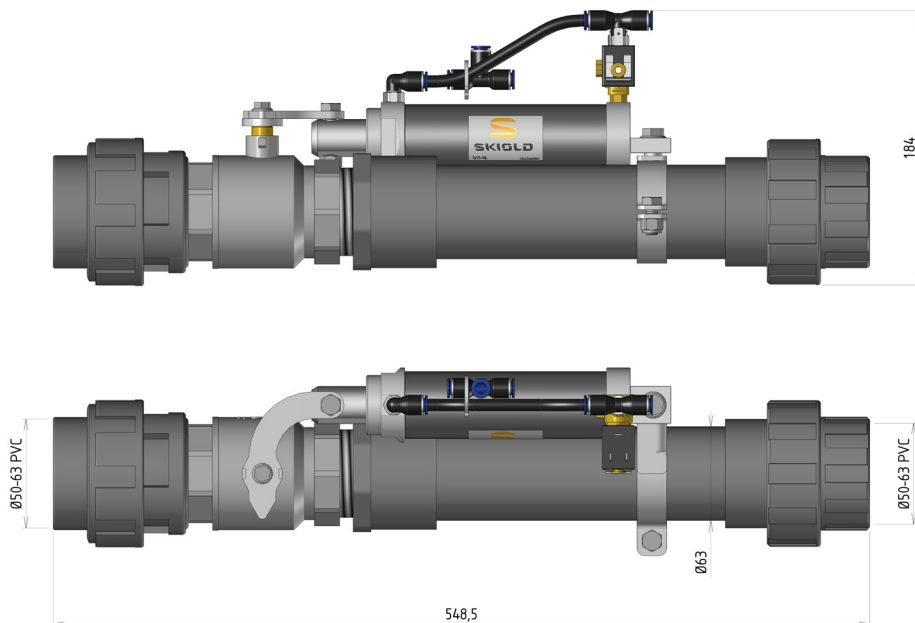
SKIOLD MAKES THE DIFFERENCE!

- Extra circuit valves is often used to reduce the number of active liters / pipe meters during distribution, and always before the return of the circuit goes into the ground.
- All packages are delivered as parts, and must be assembled on location.
- All threads must be wrapped with 15-25 laps of fiber thread (@15-25), or other sealant.
- Remember at mounting place, to take into consideration, the mounting position of the cylinder.
- All valves packets are delivered as standard with adaptators to be able to mount on Ø50 & Ø63 as well.
- The valves can be ordered according to the following combinations that follow:

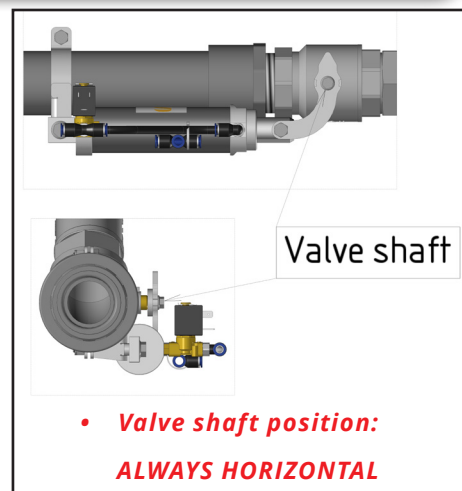
Item No.	Description
150 323 692 000	Ball valve for extra circuit - Without plug
150 000 106 302	Ball valve for extra circuit - With plug
150 000 109 138	Ball valve for extra circuit - With plug + diode + 1m wire
140 009 008 007	Loctite 55, fiber thread to pipe, 150m



DIMENSIONS



@20 => 15 -25 laps of fiber thread



Pos.	Item No.	Number	Designation
3	150 323 688 000	1	Cylinder Ø40 C.90 - 24 DC - Ø8 (pneumatic)
3.1	140 633 035 003	1	Solenoid valve Asco 24V NF - Alone
4	150 323 689 000	1	PVC pipe Ø63x250
5.1	150 323 680 000	1	Welded connecting rod for 1 1/2 and 2" valves
5.2	150 323 681 000	1	Cylinder attachment Ø63
5.3	150 323 681 010	1	Half clamp for cylinder attachment Ø63
6	150 200 000 005	1	PVC Union 16b 3P M 2" - F Ø63
7	150 200 762 759	2	PVC M63 F50 reduction
8	150 200 762 863	1	PVC Union 16b 3P Ø63
9	150 200 762 958	1	PVC fitting M 2" - Ø75M/Ø63F
10	150 200 769 145	1	Spherical valve 2" Axle=Ø18x14
50	140 633 035 000	0 or 1	Connector Solenoid valve Asco
51	140 633 035 034	0 or 1	Connector + diode + wire 1m
60	140 009 008 007		Loctite 55, fiber thread to pipe, 150m

