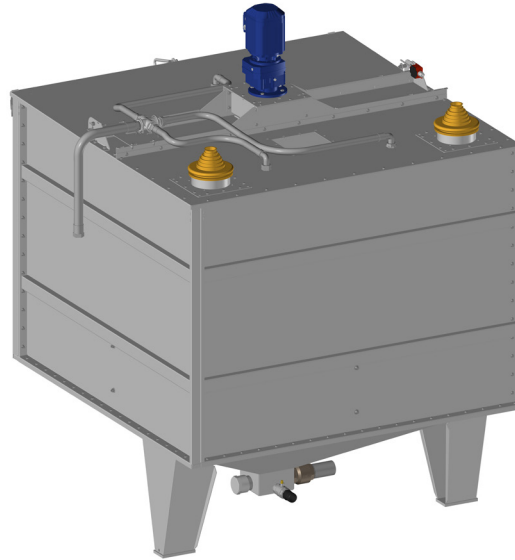




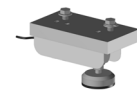
BOLTED STAINLESS STEEL TANK

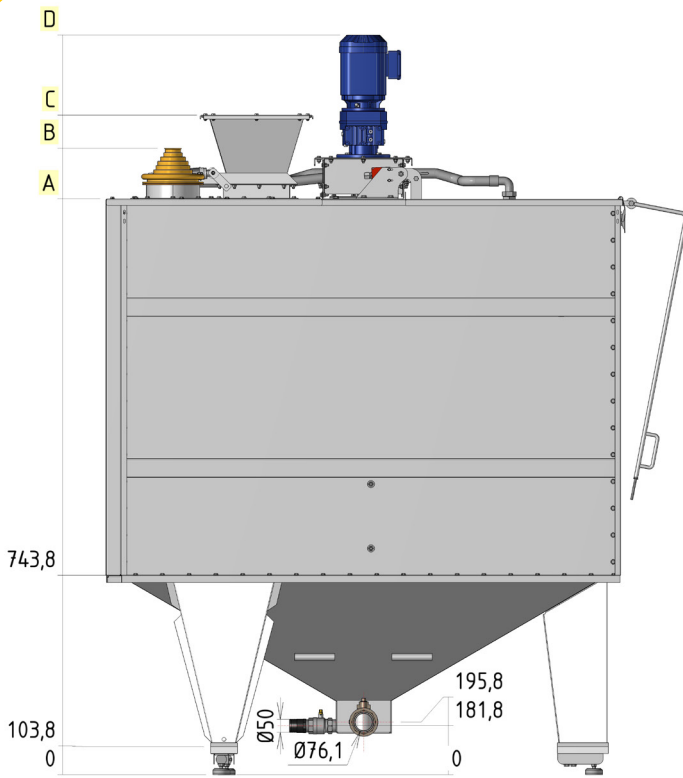


SKIOLD MAKES THE DIFFERENCE!

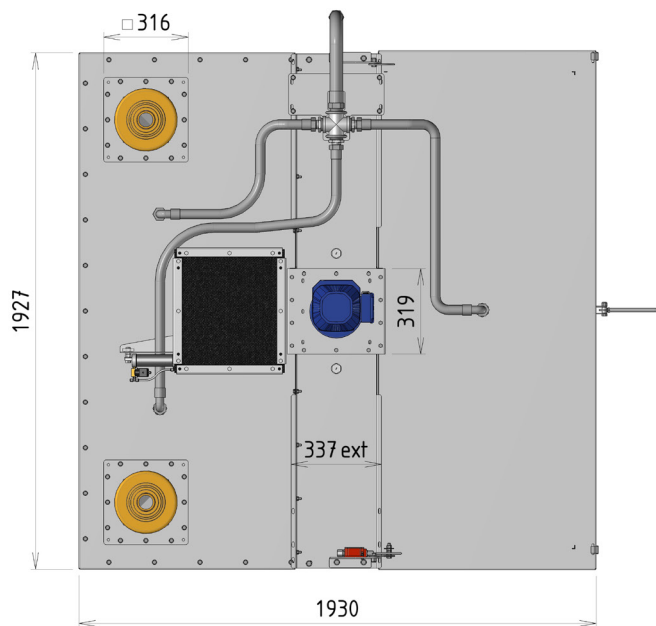
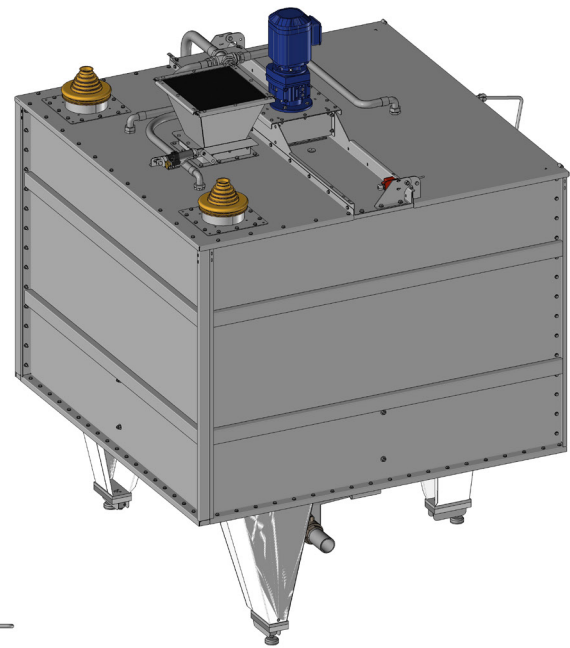
- Stainless steel tank: welded bottom with 3 legs and 4 bolted side panels
- Integral cover in stainless steel with screwed manhole cover
- Turbo stirrer in stainless steel driven by gear reduced motor 1,5 or 2,2 kW (depending on capacity)
- Water loading system by 3 rotative nozzles enabling a complete cleaning of tank inside at each loading.
Need a pump
- St. steel outlet to the distribution pump, manual ball valve of 2"½ and flexible pipe Ø76 of 2,0 m
- Complete emptying valve of 1"½
- **TO ORDER IN ADDITION:**
 - load-cells & weight control + support (option)
 - flour inlet
 - water pump

Item No.	Description
150000101656	Bolted stainless steel tank 2 400L (delivered assembled)
150000101657	Bolted stainless steel tank 3 400L (delivered assembled)
150000101658	Bolted stainless steel tank 4 400L (delivered assembled)
150000046212	3 load cells 1,5T (capacity 2,3T) - cable 8m
150000955100	3 load cells 3T (capacity 7,0T) - cable 8m





Dimensions (mm)	A	B	C	D
2 400L	1548	1737	1860	2160
3 400L	1848	2037	2160	2460
4 400L	2148	2337	2460	2760



Technical specifications	Bolted stainless steel tank		
	2400	3400	4400
Gross capacity (± 5L)	3205	4190	5170
Useful capacity under nozzles (L)	2385	3370	4350
Mini quantity of preparation (L)	150	150	150
Required load-cells	3 x 1500kg	3 x 3000kg	3 x 3000kg
Screwed cover (mm)	Ø560	Ø560	Ø560
Stainless steel stirrer	1,5kW x 95 rpm	2,2kW x 95 rpm	
Nber of rotary nozzles	3	3	3
Mini water flow (m ³ /h)	22	22	22

