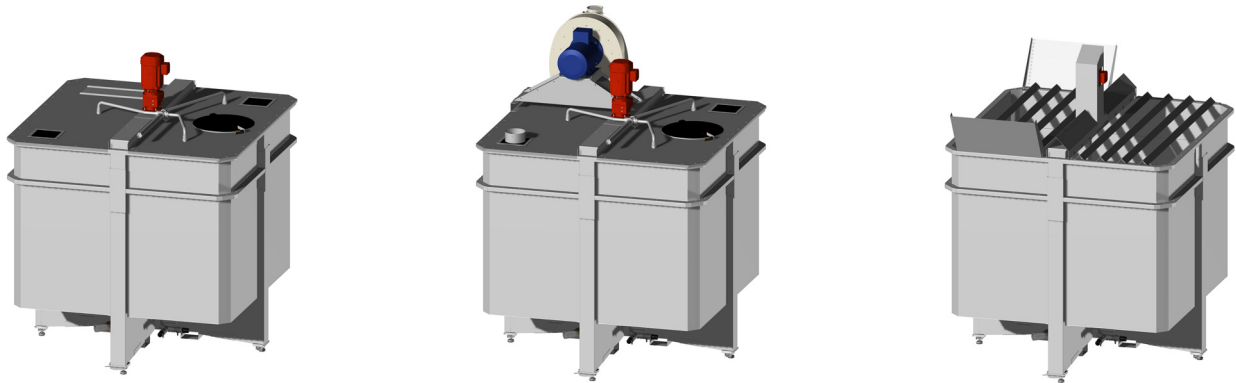




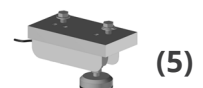
WELDED STAINLESS STEEL TANK

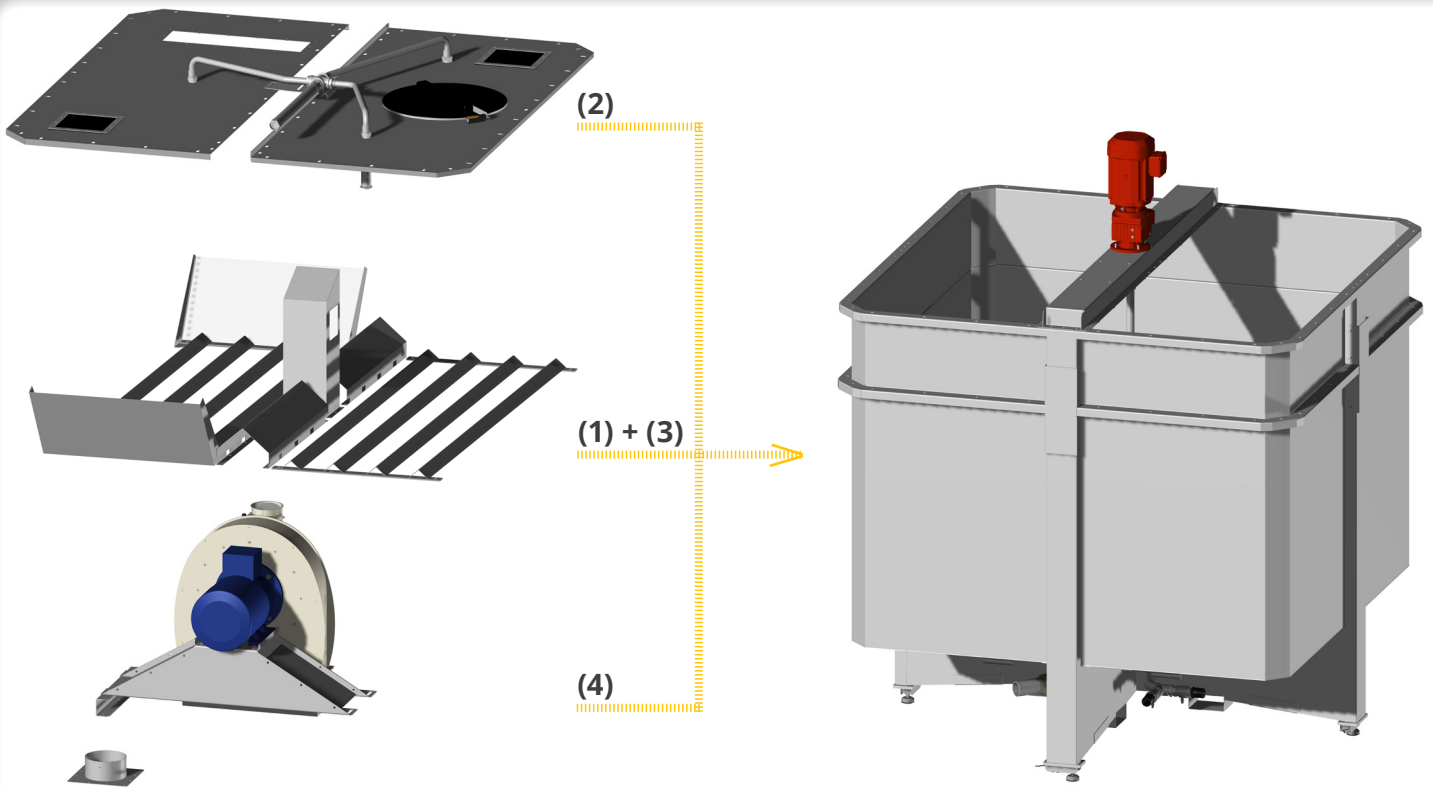


SKIOLD MAKES THE DIFFERENCE!

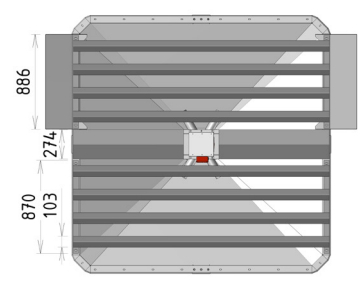
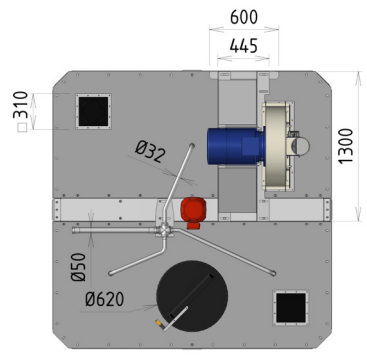
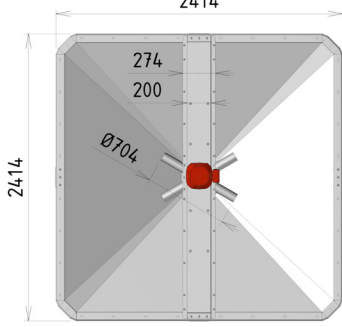
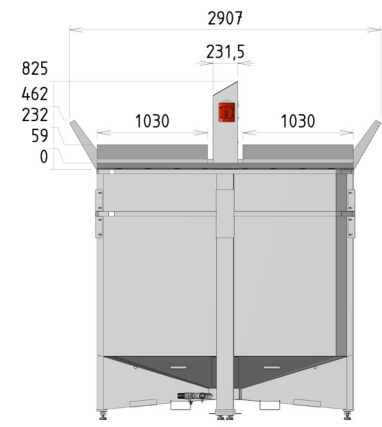
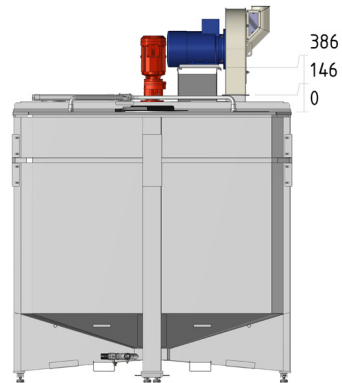
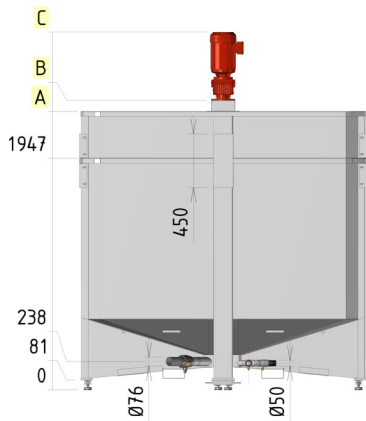
- Welded stainless steel tank with 4 legs
- Turbo stirrer in stainless steel driven by gear reduced motor 4 kW
- Stainless steel outlet to the distribution pump, manual ball valve of 2"½ and flexible pipe Ø76 of 2,0 m
- 2 complete emptying valves of 1"½ with fluted tip PVC Ø50
- **Not including:**
 - load-cells
 - weight control
 - water pump
- **Options:**
 - Stainless steel angles welded
 - Deflectors and protections for bucket loading
 - Mill adaptation
 - Full lids and cleaning system 3 rotating nozzles

Item No.	Description
150000101653	Welded stainless steel tank 6200L
150000101654	Welded stainless steel tank 8200L
150000101626	Stainless steel angles welded (1)
150000101636	Full lids and cleaning system 3 rotating nozzles (2)
150000101646	Deflectors and protections for bucket loading (3)
150000101620	Mill adaptation (4)
150000955100	3 load cells 3T (capacity 7,0T) - cable 8m (5)





Dimensions (mm)	A	B	C
6 200L	1947	2040	2614
8 200L	2340	2433	3007



Spécifications techniques	Welded stainless steel tank	
	6200L	8200L
Gross capacity (± 5L)	7500	9500
Useful capacity under nozzles (L)	6220	8220
Required load-cells	4 x 3000kg	4 x 3000kg
Stainless steel stirrer	4kW x 97 rpm	4kW x 97 rpm
Nber of rotary nozzles	3	3
Mini water flow (m ³ /h)	22	22

