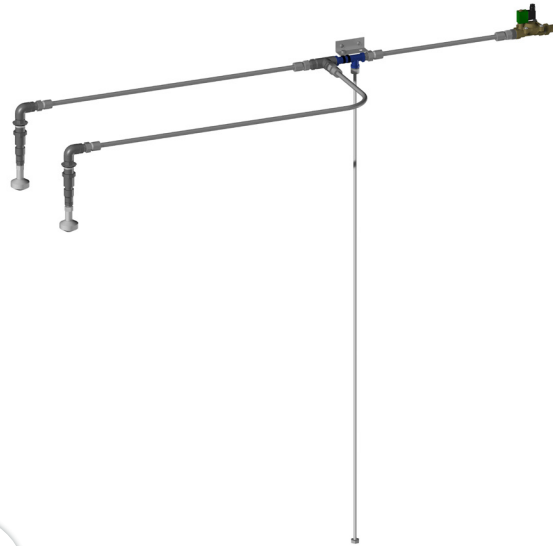




ADDITIONAL WASHING SYSTEM 24V



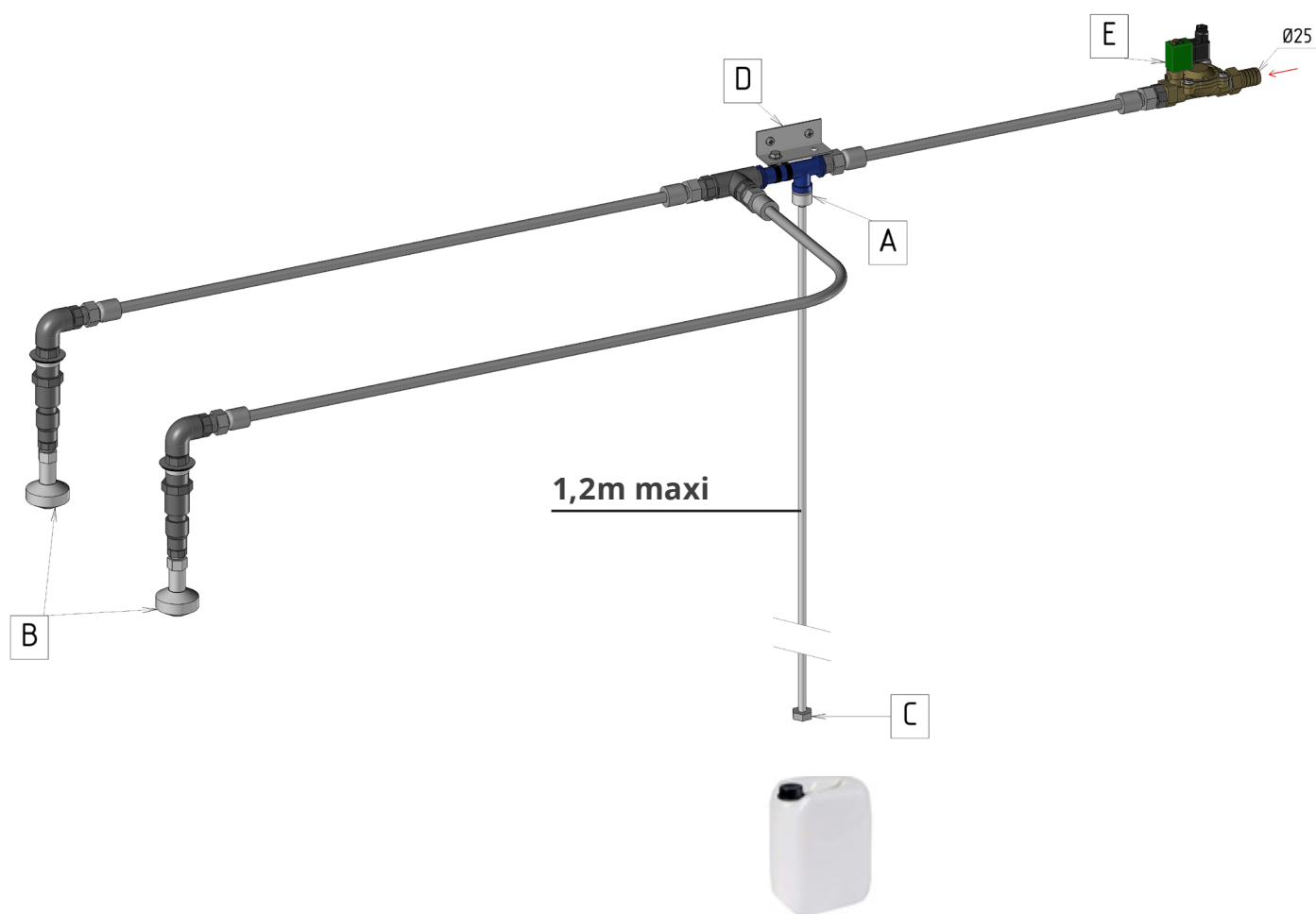
SKIOLD MAKES THE DIFFERENCE!

- Additional cleaning system with 24V solenoid water valve, with suction venturi in can, a 1.6 meter flexible pipe with a weighted filter, and 2 rotating spray nozzles
- Mounting for rotocuve or stainless steel tank
- Connection to mini-pressure water network
 - Minimum water flow: 10L/mn
 - Maximum water flow: 40L/mn
 - Minimum pression: 2,5 bars
- Injection flow:

~2.2 L/min at a water pressure of 2 bars and 21L/min. →	~0.104L for 1L of water
~2 L/min at a water pressure of 2.5 bars and 23L/min. →	~0.087L for 1L of water
~1.8 L/h at a water pressure of 3 bars and 25L/min. →	~0.072L for 1L of water
~1.75 L/h at a water pressure of 3.5 bars and 26L/min. →	~0.067L for 1L of water
- The venturi has an unlimited service life, does not require a power supply and contains no moving parts: it does not require any maintenance measures.

Item No.	Description
150000101663	Additional washing system 24V





Provide security on the hatch

Water supply => Water flow: 10L/min - 40L/max // Minimum pressure: 2,5 bar

Pos.	Item No.	Number	
A	150200766121	1	Venturi Injector PVC 3/4"
B	150200766110	2	Spraying nozzles 360° Ø30
C		1	Flexible hose 1,6m with suction trainer (supplied with the Venturi injector)
D	150317600000	1	Mounting angle
E	150200457009	1	Solenoid water valve G 3/4" 24VDC