



BALL VALVE FOR DISTRIBUTION



SKIOLD MAKES THE DIFFERENCE!

- Ball valves with clamp saddles (Ø50 or Ø63).
- Used for high pressure distribution systems fed by a screw pump.
- The circuit shut-off is supplied not assembled. It is composed of:
 - a clamp saddle Ø50 or Ø63
 - Air-ram with solenoid valve Asco 24V DC40
 - Air supply socket: Ø8mm
 - Spherical valve 1"½ piloted by air-ram
 - PVC outlet for Ø50 PVC

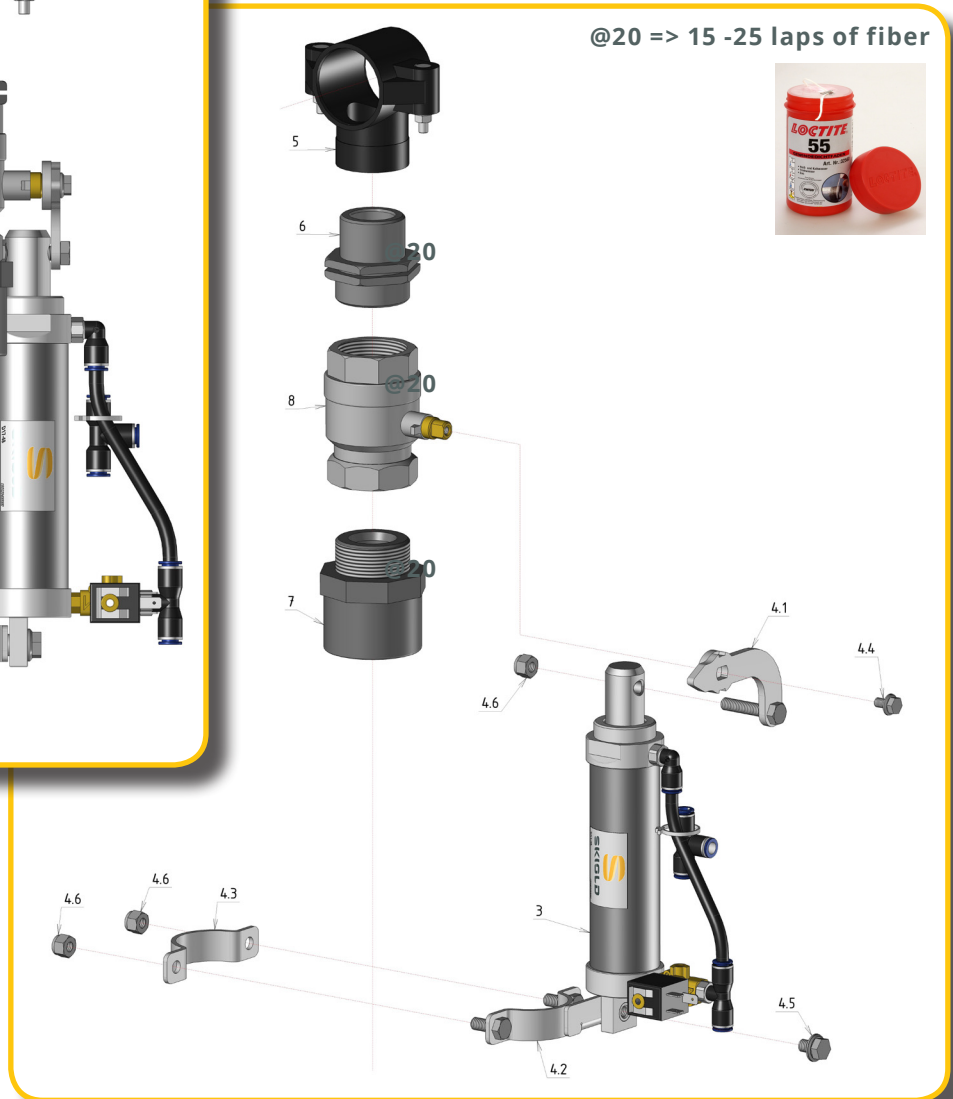
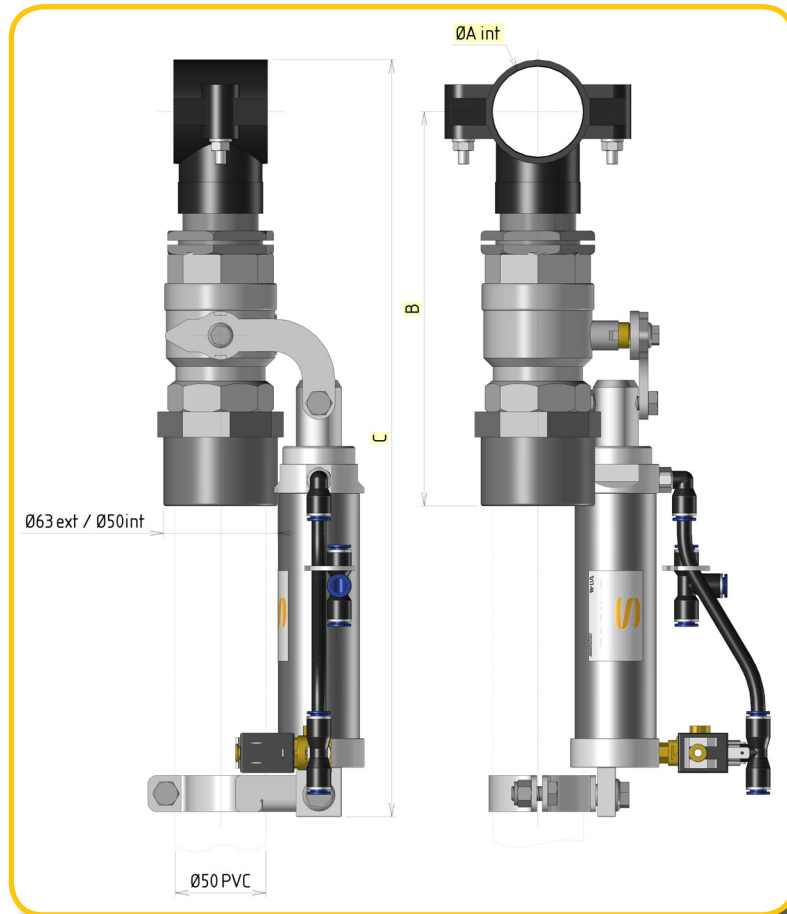
=> All threads must be wrapped with 15-25 laps of fiber thread (@15-25), or other sealant.

Item No.	Description
150323693000	Ball valve for distribution Ø50- Without plug
150000106303	Ball valve for distribution Ø50- With plug
150000109139	Ball valve for distribution Ø50- With plug + diodes + wire 1m
150323694000	Ball valve for distribution Ø63- Without plug
150000106304	Ball valve for distribution Ø63- With plug
150000109140	Ball valve for distribution Ø63- With plug + diodes + wire 1m
140009008007	Loctite 55, fiber thread to pipe, 150m

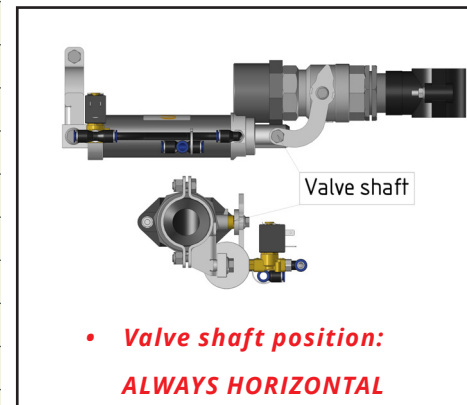


DIMENSIONS

	Ø50	Ø63
A (mm)	50	63
B (mm)	218	226
C (mm)	418	434



Pos.	Item No.	Number	Designation
3	150323688000	1	Cylinder Ø40 C.90 - 24 DC - Ø8 (pneumatic)
3.1	140633035003	1	Solenoid valve Asco 24V NF - Alone
4.1	150323680000	1	Welded connecting rod for 1 1/2" and 2" valves
4.2	150323682000	1	Cylinder attachment Ø50
4.3	150323682010	1	Half clamp for cylinder attachment Ø50
4.4	150200000009	1	Stainless steel screw M6x10
4.5	150200000010	1	Stainless steel screw M8x10
4.6	150200672108	3	Stainless steel nut M8
5	150200000006	1	PVC Clamp saddle Ø50 1 1/4"
	150200763464	1	PVC Clamp saddle Ø63 1 1/2"
6	150200000007	1	PP reduction 1 1/2" - 1 1/4"
	150200000008	1	PP double nipple MM1 1/2"
7	150200762966	1	PVC fitting M 1 1/2" - Ø63M/Ø50F
8	150200769144	1	Ball valve 1 1/2" Axle=Ø11,9x8,7
9	140633035034	0 or 1	Connector + diode + wire 1m (not represented)
10	140633035000	0 or 1	Connector Solenoid valve Asco (not represented)
20	140009008007		Loctite 55, fiber thread to pipe, 150mm



SKIOLD