



SKIOLD DAMAS COMBI V



SKIOLD MAKES THE DIFFERENCE!



SKIOLD DAMAS COMBI V

Function

The raw material (1) is supplied in the required capacity and conveyed through the clipper-de-awner (2) over a feed roller with regulation slide to the cleaning machine (3) by which the material is distributed over the full working width of the machine.

The material passes through the pre-suction duct (4), where light impurities are sucked-off, and continues to the screen cases (5) - alternatively (5-6) on type 107. Here follow the further cleaning and grading, usually effected by the VIBAMmachines.

From the screens the rejects flow to the respective ducts and are discharged through the side of the machine. The cleaned material passes through an after-suction (6) - alternatively (7) on type 107 - and through a collecting hopper to the indented cylinder (7) - alternatively (8) on type 107.

In the indented cylinder, being a short-grain indented cylinder, half corns and small seeds, if any, are lifted up into the trough and discharged at (9) alternatively (10), while the cleaned material leaves the machine through the outlet (10) type V-105 and (11) type V-107.

Construction

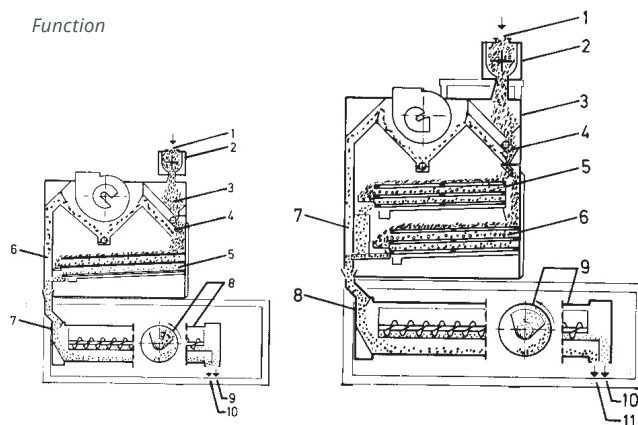
Combi V-105:

- 1 Kiban 86
- 1 Vibam 1013
- 1 Hotyp 520 K

Combi V-107:

- 1 Kiban 125
- 1 Vibam 1026
- 1 Hotyp 730 K

Function



TECHNICAL SPECIFICATIONS

	COMBI V-105	COMBI V-107
Guiding capacity, cereal seed (barley) (t/h):	4	8
Number of screens (pcs.):	6	12
Screen area (m ²):	5	10
Indented cylinder cover (mm):	Ø500 × 1980	Ø700 × 2910
Motor, clipper-de-awner (kW):	4.0	11.0
Motor, cleaner(kW):	3.0	4.0
Motor, indented cylinder (kW):	1.5	2.2
Width (mm):	1620	1660
Length (mm):	3200	4065
Height (mm):	3500	4650
Weight (kg):	2500	3250